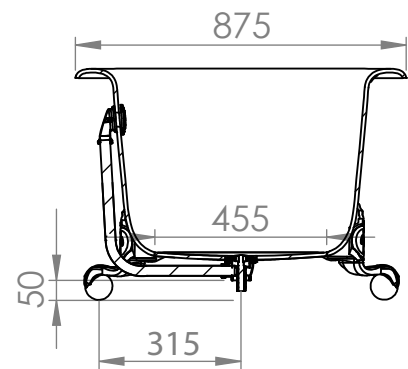
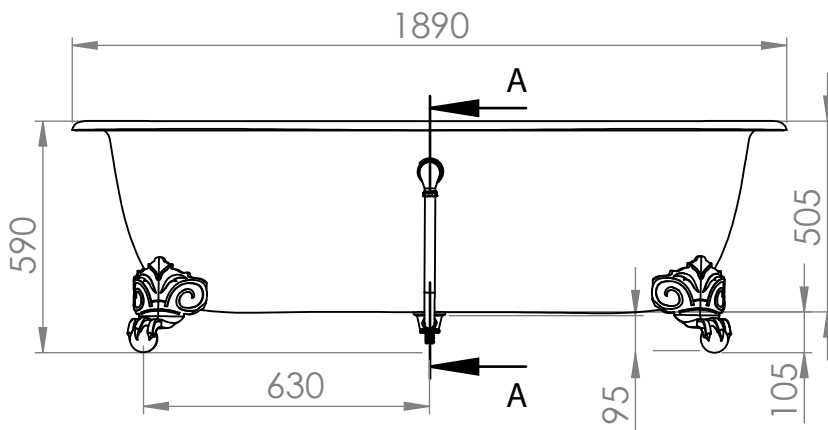
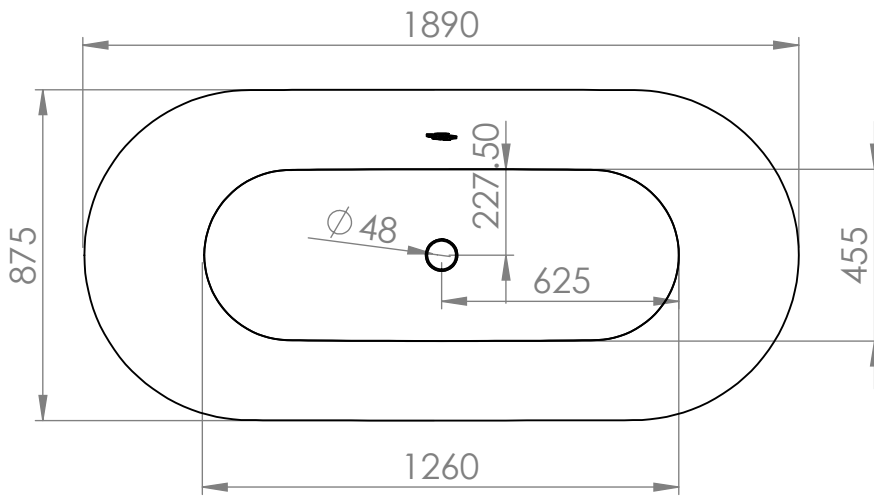
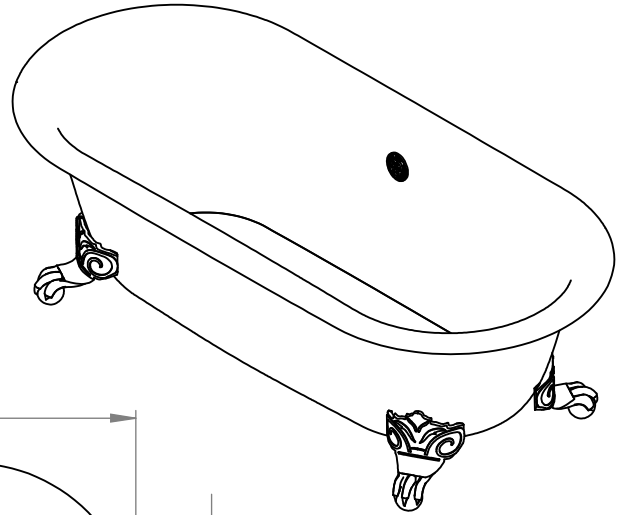


# The Vingt-Neuf

DIMENSIONS (mm)

\* Due to the handmade nature of our products, please allow for some variation in dimensions.



SECTION A-A

Capacity: 250 Litres

PLEASE NOTE: Whilst every effort is made to ensure the accuracy of these specification sheets, they are subject to change without notice as part of the company's ongoing product development process.

