

# The Solheim Wall Mounted Three Hole Basin Tap

## DIMENSIONS (mm)

Escutcheons are push fit up to wall level

15mm Compression fixings for hot and cold feeds

Tap side bodies and mixer valves to be fixed to back wall. Screws and plugs provided

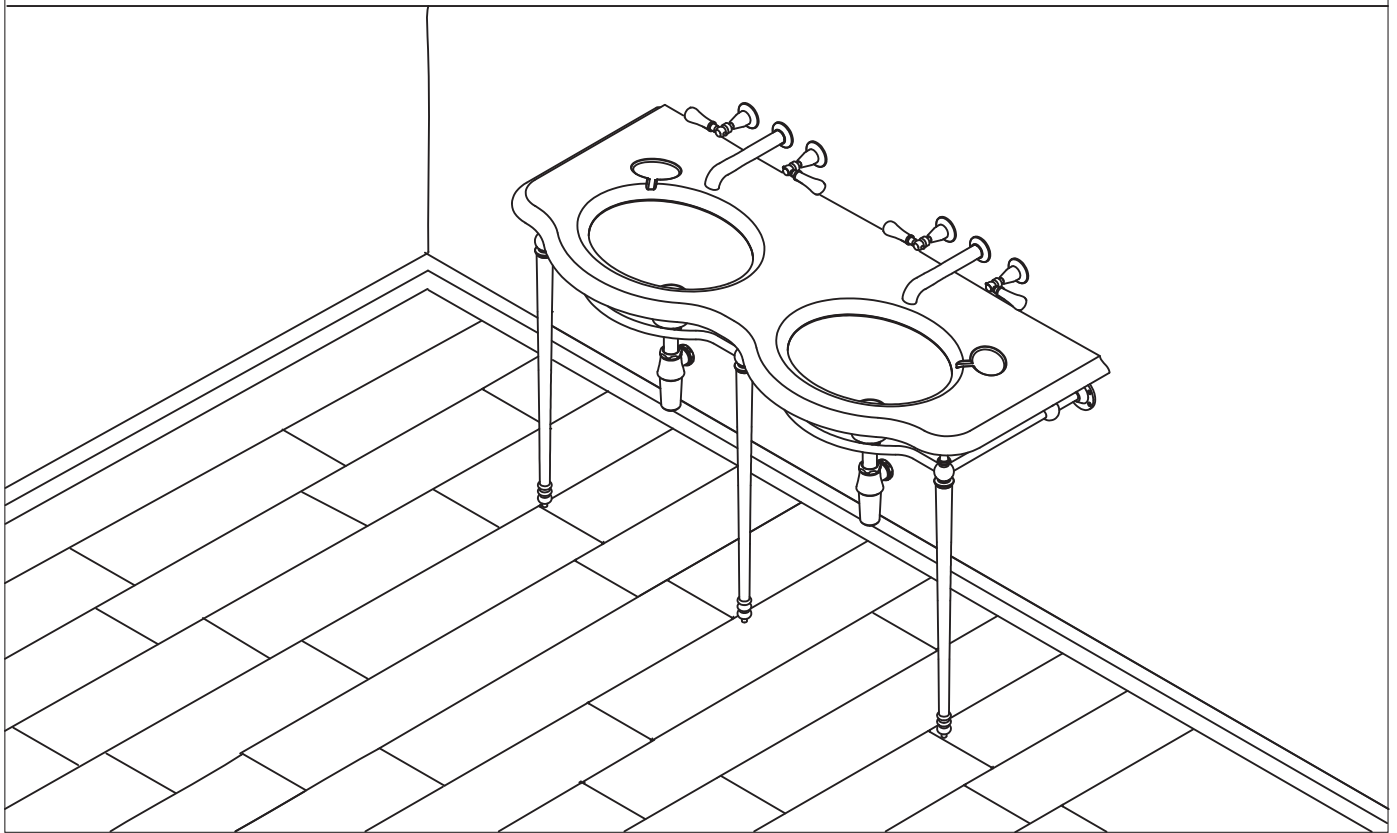
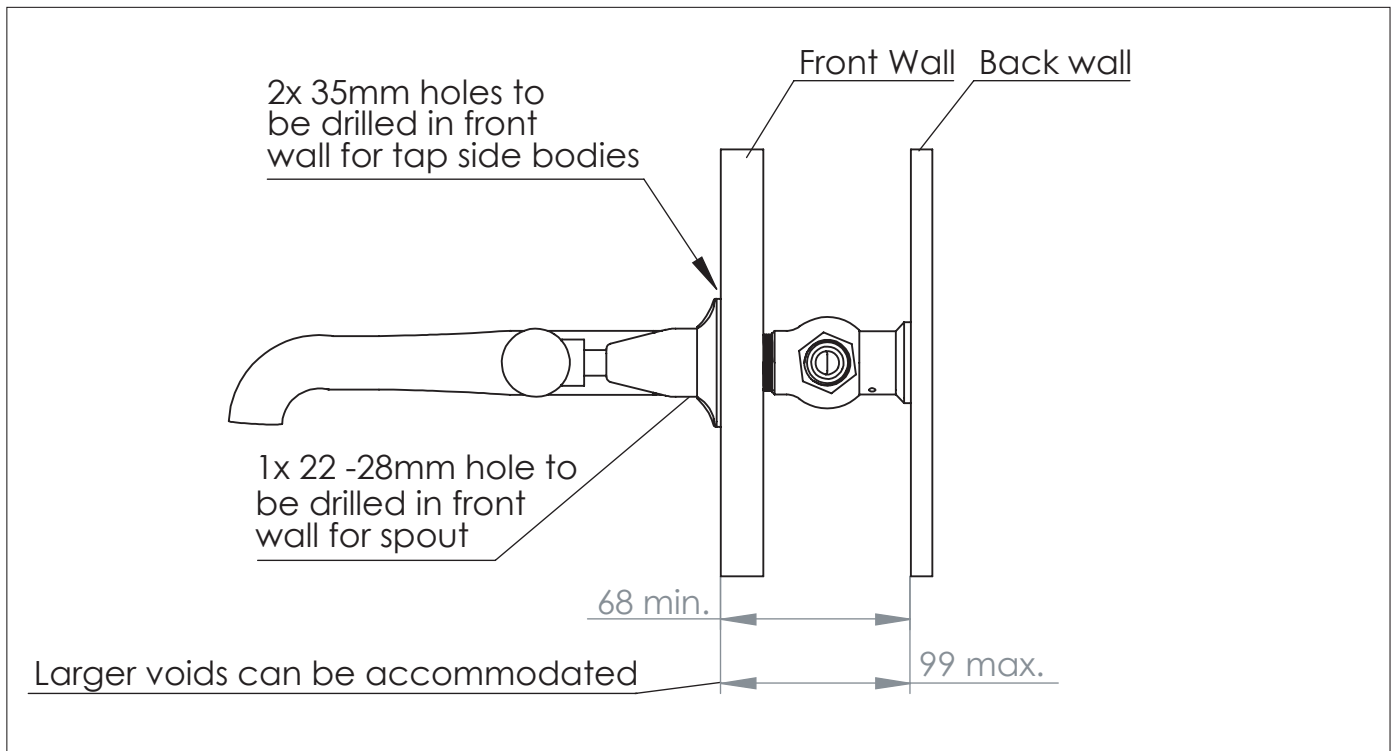
\* Cartridges required- 1/4 turn Anti-clockwise 3/4" x1  
1/4 turn Clockwise 3/4" x1

\* Product comes as standard with 15mm feeds, however, this can be altered to 22mm if specified when purchasing.

PLEASE NOTE: Whilst every effort is made to ensure the accuracy of these specification sheets, they are subject to change without notice as part of the company's ongoing product development process.

# The Solheim Wall Mounted Three Hole Basin Tap

DIMENSIONS (mm)



PLEASE NOTE: Whilst every effort is made to ensure the accuracy of these specification sheets, they are subject to change without notice as part of the company's ongoing product development process.