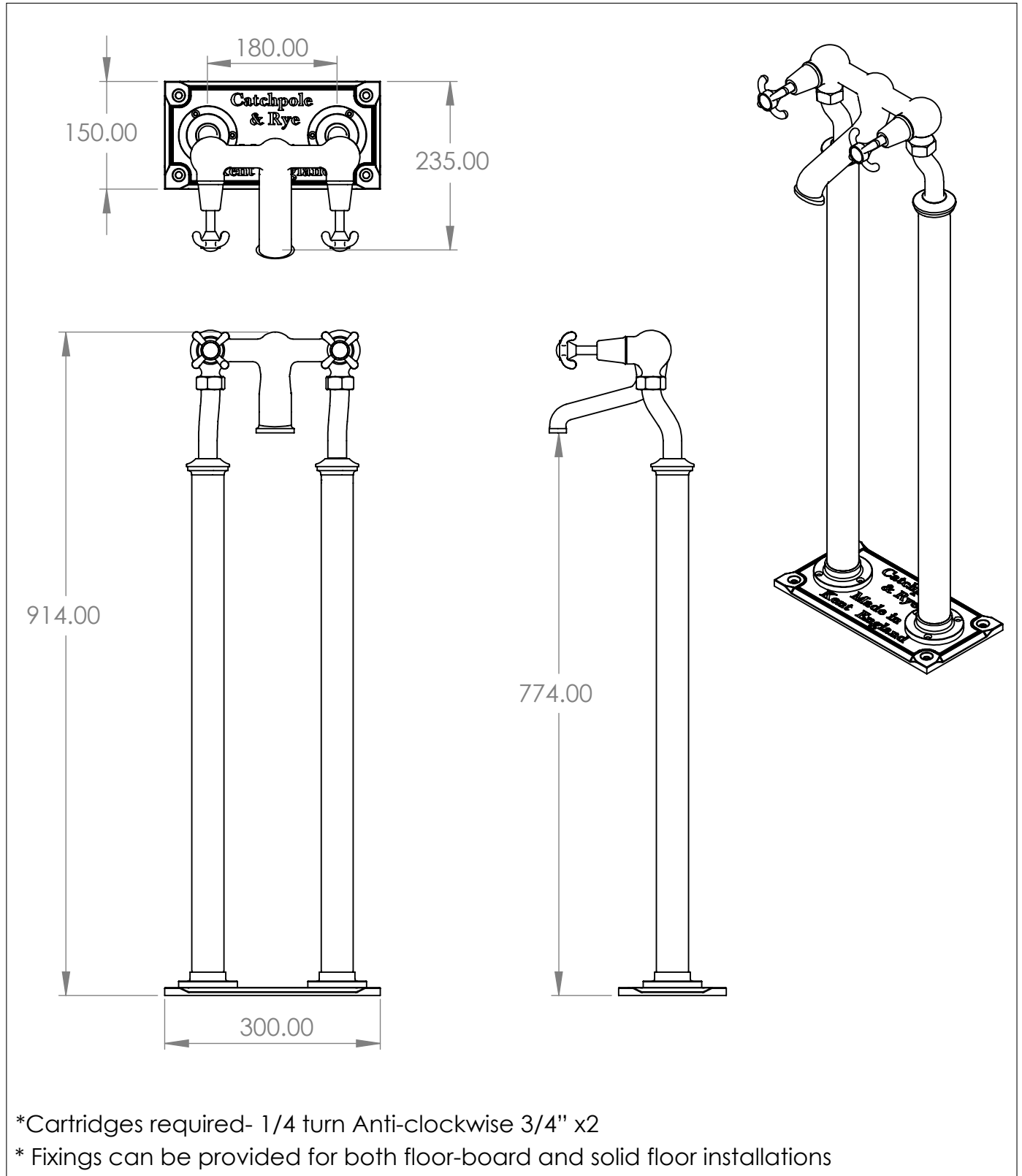


La Loire Bathtub Filler on Standpipes

DIMENSIONS (mm)



*Cartridges required- 1/4 turn Anti-clockwise 3/4" x2

* Fixings can be provided for both floor-board and solid floor installations

PLEASE NOTE: Whilst every effort is made to ensure the accuracy of these specification sheets, they are subject to change without notice as part of the company's ongoing product development process.

