

PRODUCT SPECIFICATION

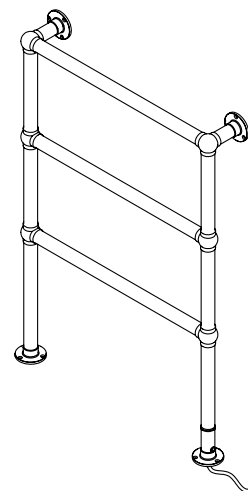
The Original Three Bar Towel Rail

ELECTRIC MODEL

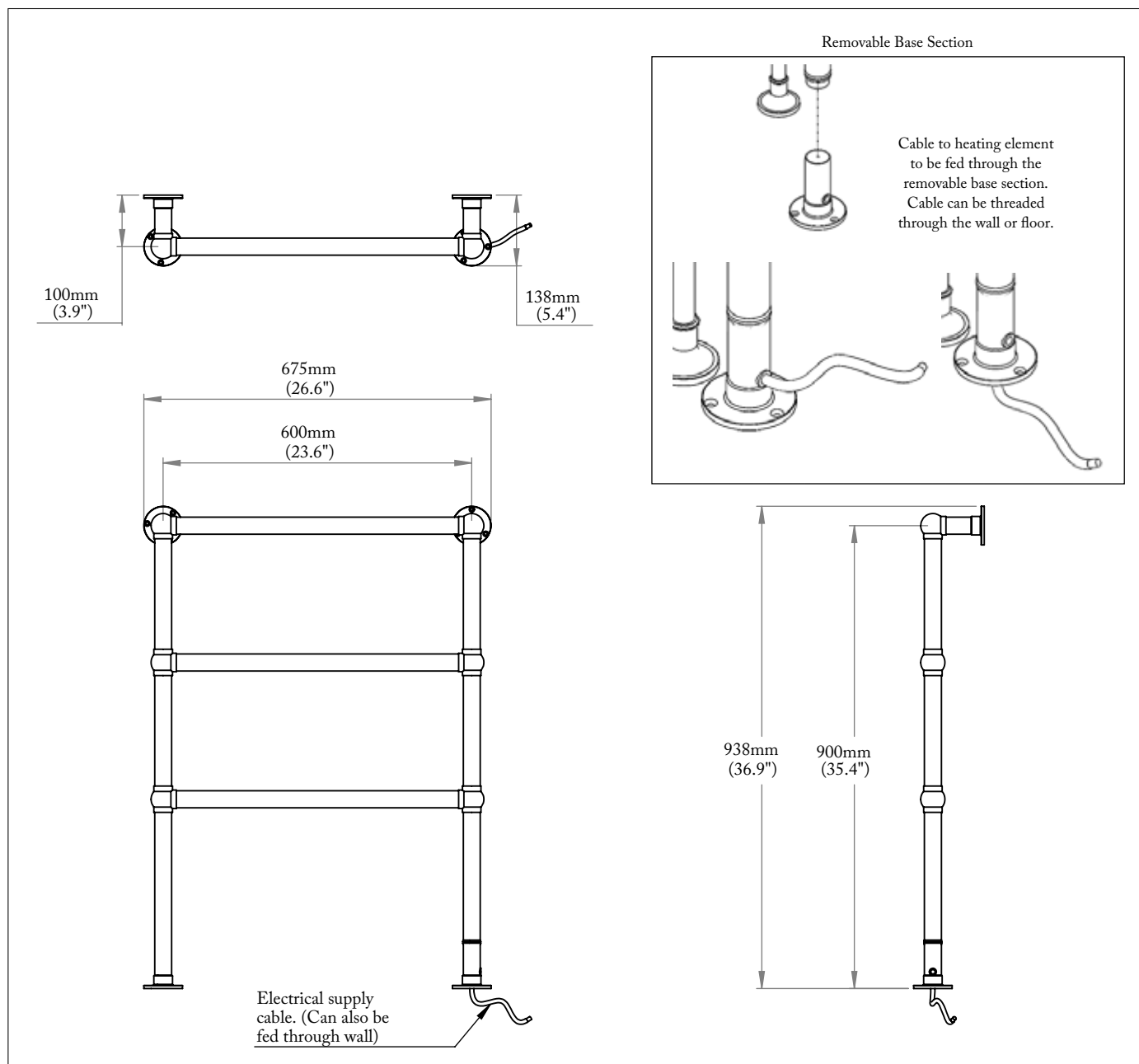
ELECTRICAL ELEMENT: 125W

ELEMENT RATING: IP55

Manufactured in the UK from BSC2126 Brass Tube.



ELECTRIC MODEL



PLEASE NOTE: Whilst every effort is made to ensure the accuracy of these specification sheets, they are subject to change without notice as part of the company's ongoing product development process.



PHONE: +44 1233 840 840
EMAIL: INFO@CATCHPOLEANDRYE.COM
ADDRESS: CATCHPOLE & RYE, SARACENS DIARY, ASHFORD, KENT, TN27 0SA

©COPYRIGHT 2021 CATCHPOLE & RYE.
ALL RIGHTS RESERVED.

WWW.CATCHPOLEANDRYE.COM