

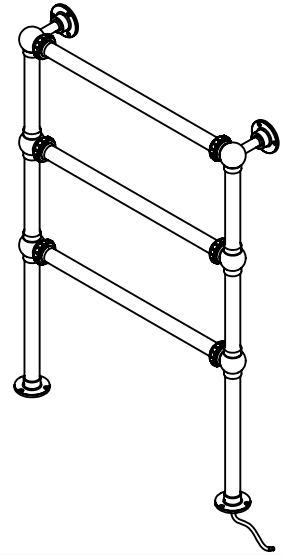
The Mercantile Three Bar Towel Rail

ELECTRIC MODEL

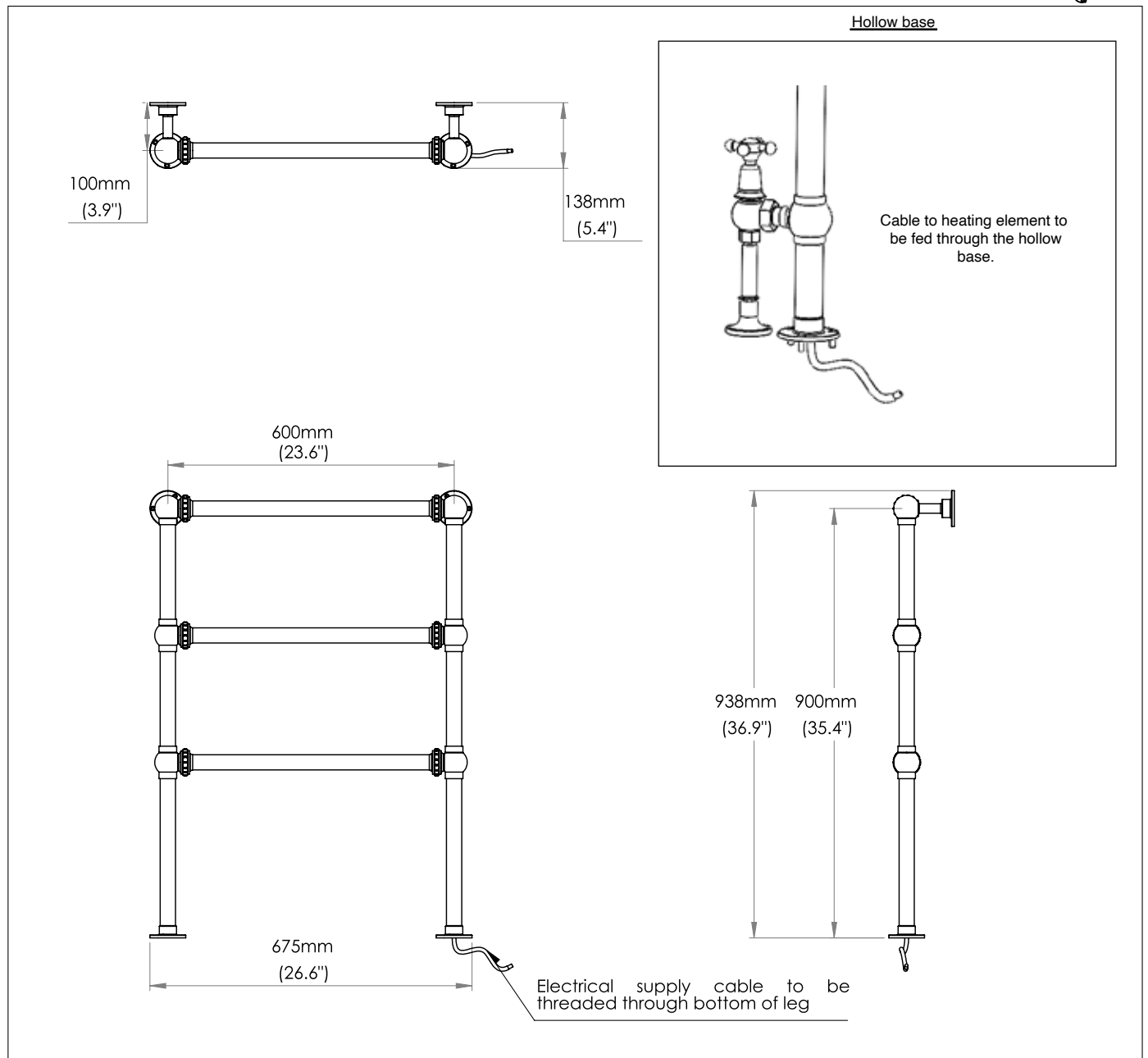
ELECTRICAL ELEMENT: 125W

ELEMENT RATING: IP55

Manufactured in the UK from BSC2126 Brass Tube.



ELECTRIC MODEL



PLEASE NOTE: Whilst every effort is made to ensure the accuracy of these specification sheets, they are subject to change without notice as part of the company's ongoing product development process.

