

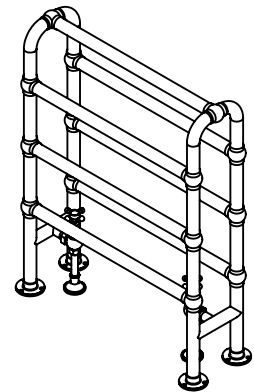
The Original Arched Three Bar Heated Towel Radiator

STANDARD MODEL

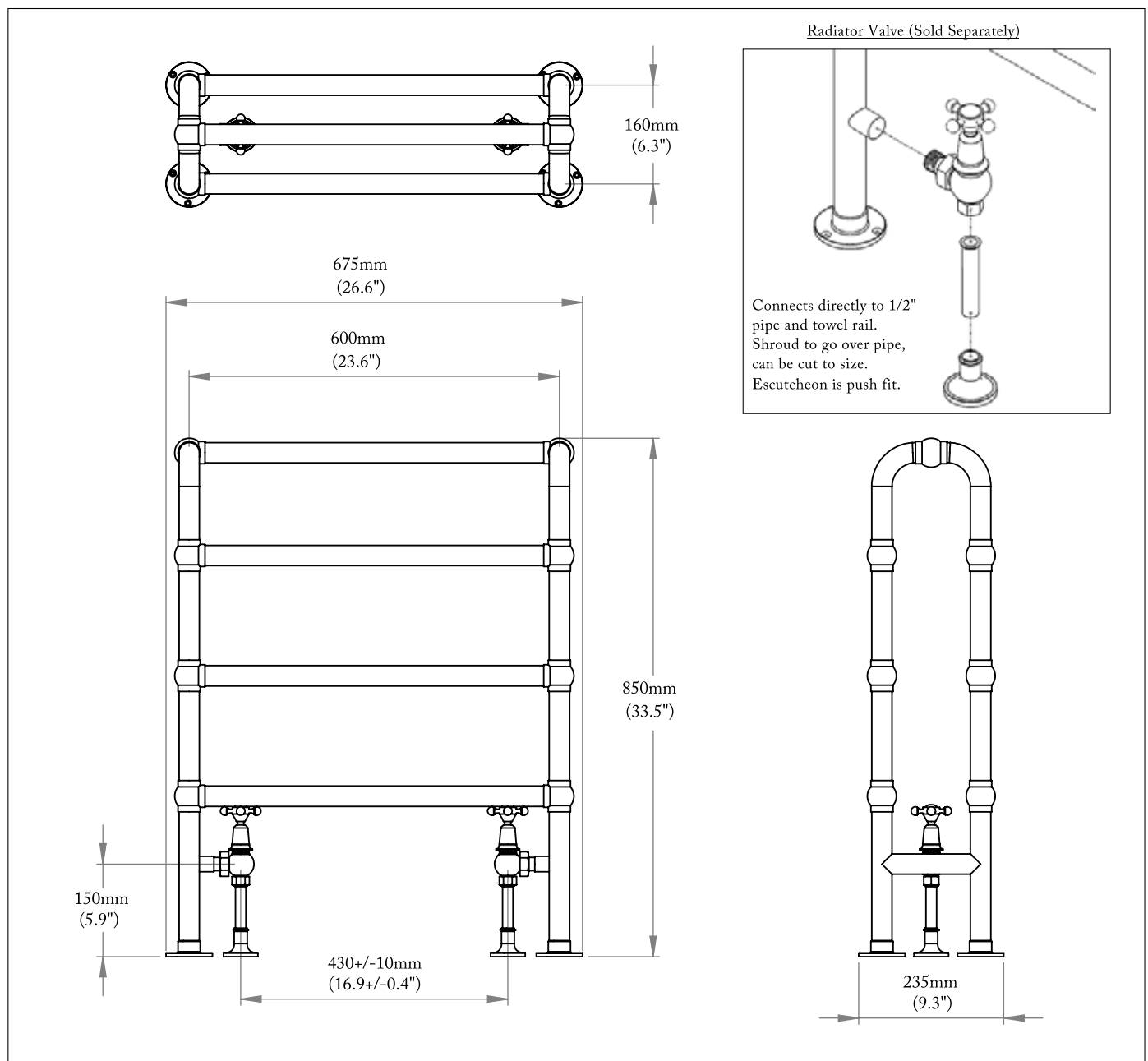
BTU OUTPUT @50°C: 1338

BTU OUTPUT @60°C: 1696

Manufactured in the UK from BSC2126 Brass Tube.



STANDARD MODEL



PLEASE NOTE: Whilst every effort is made to ensure the accuracy of these specification sheets, they are subject to change without notice as part of the company's ongoing product development process.

