

# The Original Wall Mounted Towel Rail

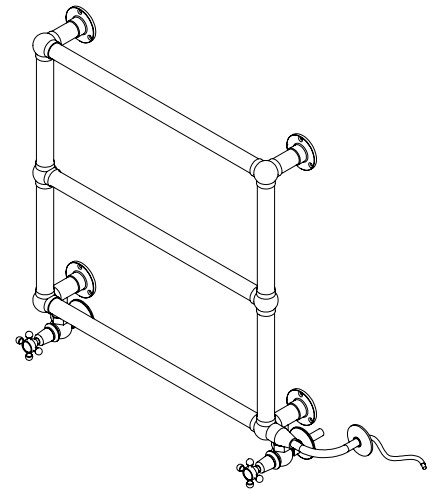
## STANDARD, DUAL FUEL & ELECTRIC MODELS

Our classic shape, manufactured in Great Britain from the highest quality brass. The Original Wall Mounted heated towel rail presents a simplicity of design and class with its timeless, tubular structure and chic finish. The Original Collection of heated bathroom towel rails is presented in a variety of options and finishes to suit your requirements including Aged Brass, Aged Copper, Chromium Plate, Black Nickel and more. Elegant and functional, they can be manufactured to operate as:

Standard – for central heating systems.

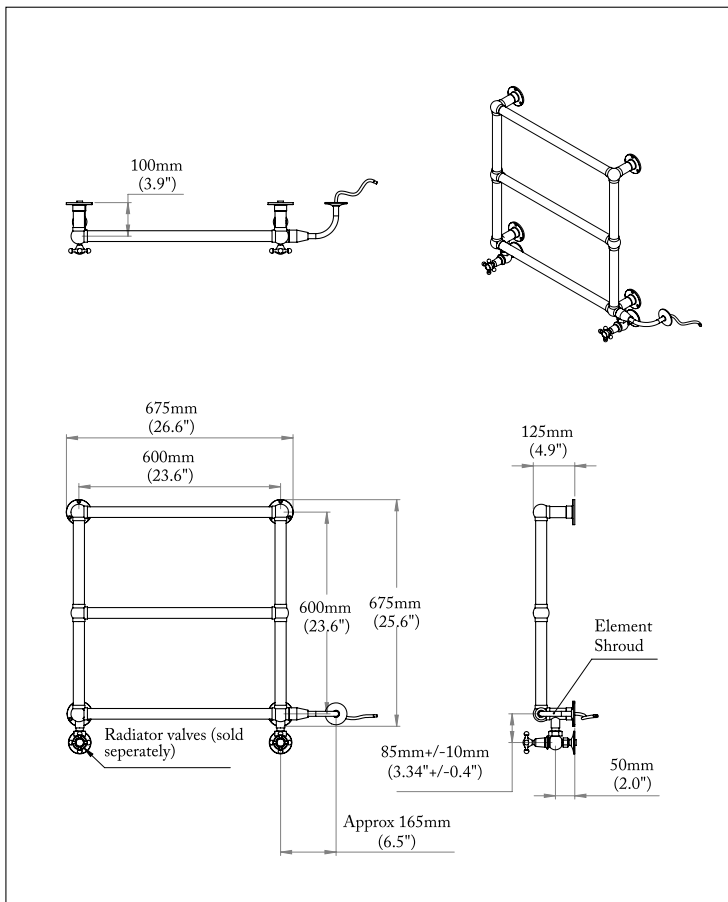
Electric – fitted with an electric element.

Dual Fuel – suitable for use with both central systems and electric controls.

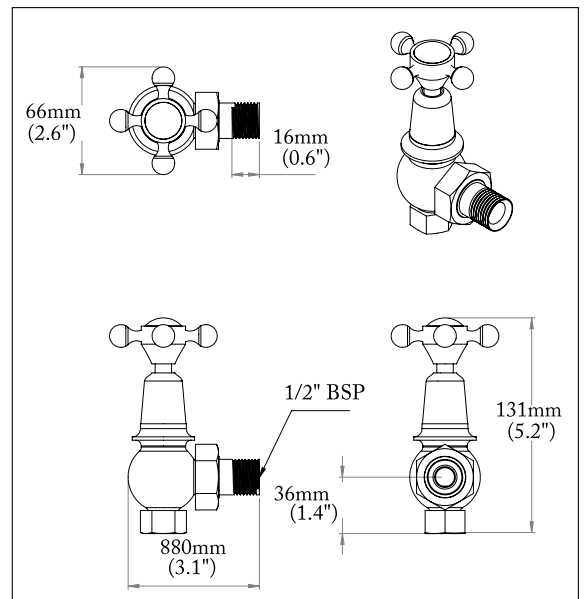


MODEL	IMPERIAL DIMENSIONS (IN)	METRIC DIMENSIONS (MM)	BTU RATING		FINISH	PRICE
			@50°C	@60°C		
STANDARD	26.7H x 26.5W x 4.9D	675H x 675W x 125D	570	720	Standard	£1,300*
STANDARD	26.7H x 26.5W x 4.9D	675H x 675W x 125D	570	720	Premium	£1,560*
DUAL FUEL	26.7H x 26.5W x 4.9D	675H x 675W x 125D	570	720	Standard	£1,500*
DUAL FUEL	26.7H x 26.5W x 4.9D	675H x 675W x 125D	570	720	Premium	£1,800*
ELECTRIC	26.7H x 26.5W x 4.9D	675H x 675W x 125D	570	720	Standard	£1,500*
ELECTRIC	26.7H x 26.5W x 4.9D	675H x 675W x 125D	570	720	Premium	£1,800*

## DUAL FUEL EXAMPLE



## RADIATOR VALVES (Sold Separately)



# The Original Wall Mounted Towel Rail

STANDARD, DUAL FUEL & ELECTRIC MODELS

## STANDARD FINISHES

### POLISHED COPPER

Buffed and burnished to a high golden sheen, Polished Brass is a living finish that will naturally develop a darker hue.



### SILVER NICKEL

Silver Nickel is the original plated finish introduced in the late nineteenth century. It resembles a solid silver with warm tones and a golden hue.



### CHROME PLATE

Used extensively on today's modern fittings, this highly polished and durable finish is silver with a hint of blue undertone.



## PREMIUM FINISHES

### BRUSHED COPPER

Pure brass that has been lightly abraded by hand to achieve a matt golden finish.



### BRUSHED NICKEL

A steely silver finish. Its matt appearance generates an industrial feel and allows it to site well within minimal and contemporary settings.



### BRUSHED CHROME

A more modern blue-silver finish. Dull and steely this finish is also suitable for contemporary settings.



### AGED BRASS

Pure brass that has been treated to accelerate the process of oxidation generating a dark and warm living bronze finish.



### BLACK NICKEL

A burnt nickel appearance, resembling the colour of pewter. This minimal finish sits equally well in both contemporary or rustic settings.



### AGED COPPER

With its rich russet tones, this finish is particularly suited to traditional properties or an industrial-style interior.



## RADAIATOR VALVES

We manufacture our radiator valves in three styles - The English, La Loire and The Mercantile.

All of which are available in our full range of finishes.

THE ENGLISH



LA LOIRE



THE MERCANTILE

