

# The Original Arched Ladder Heated Towel Radiator

## STANDARD, DUAL FUEL & ELECTRIC MODELS

Our classic shape, manufactured in Great Britain from the highest quality brass. The Original Arched Ladder heated towel radiator presents a simplicity of design and class with its timeless, tubular structure and chic finish. The Original Collection of heated bathroom towel rails is presented in a variety of options and finishes to suit your requirements including Aged Brass, Aged Copper, Chromium Plate, Black Nickel and more. Elegant and functional, they can be manufactured to operate as:

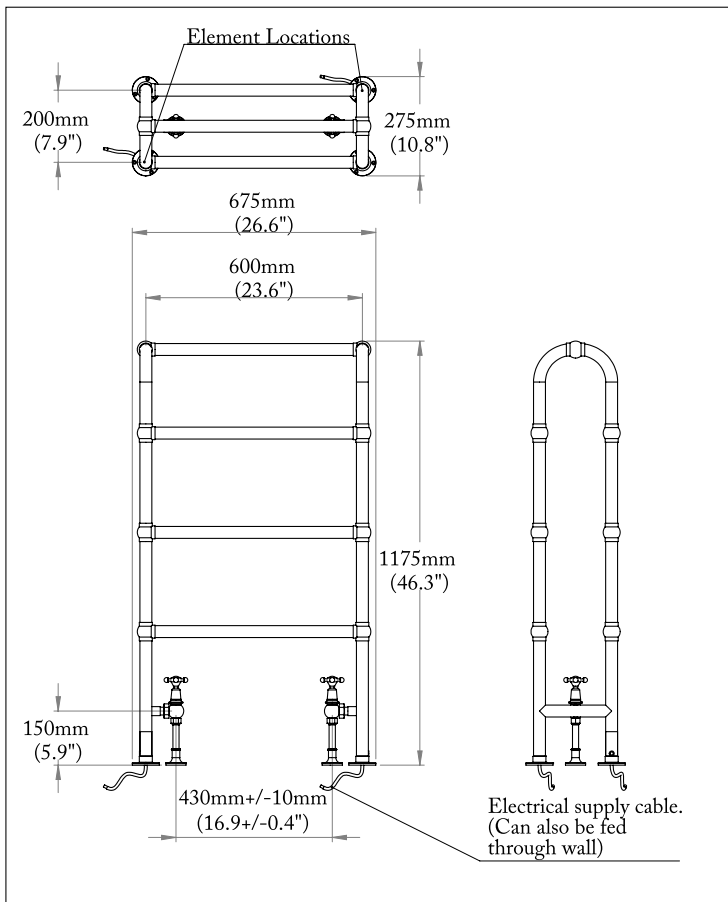
Standard – for central heating systems.

Electric – fitted with an electric element.

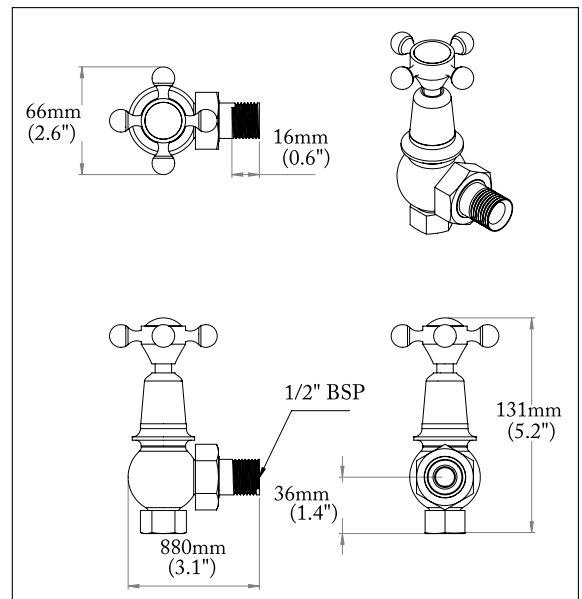
Dual Fuel – suitable for use with both central systems and electric controls.

MODEL	IMPERIAL DIMENSIONS (IN)	METRIC DIMENSIONS (MM)	BTU RATING		FINISH	PRICE
			@50°C	@60°C		
STANDARD	46.3H x 26.6W x 10.8D	1175H x 675W x 275D	1604	2030	Standard	£2,700*
STANDARD	46.3H x 26.6W x 10.8D	1175H x 675W x 275D	1604	2030	Premium	£3,240*
DUAL FUEL	46.3H x 26.6W x 10.8D	1175H x 675W x 275D	1604	2030	Standard	£2,900*
DUAL FUEL	46.3H x 26.6W x 10.8D	1175H x 675W x 275D	1604	2030	Premium	£3,440*
ELECTRIC	46.3H x 26.6W x 10.8D	1175H x 675W x 275D	1604	2030	Standard	£2,900 *
ELECTRIC	46.3H x 26.6W x 10.8D	1175H x 675W x 275D	1604	2030	Premium	£3,440*

### DUAL FUEL EXAMPLE



### RADIATOR VALVES (Sold Separately)



# The Original Arched Ladder Heated Towel Radiator

STANDARD, DUAL FUEL & ELECTRIC MODELS

## STANDARD FINISHES

### POLISHED BRASS

Buffed and burnished to a high golden sheen, Polished Brass is a living finish that will naturally develop a darker hue.



### SILVER NICKEL

Silver Nickel is the original plated finish introduced in the late nineteenth century. It resembles a solid silver with warm tones and a golden hue.



### CHROME PLATE

Used extensively on today's modern fittings, this highly polished and durable finish is silver with a hint of blue undertone.



## PREMIUM FINISHES

### BRUSHED BRASS

Pure brass that has been lightly abraded by hand to achieve a matt golden finish.



### BRUSHED NICKEL

A steely silver finish. Its matt appearance generates an industrial feel and allows it to site well within minimal and contemporary settings.



### BRUSHED CHROME

A more modern blue-silver finish. Dull and steely this finish is also suitable for contemporary settings.



### AGED BRASS

Pure brass that has been treated to accelerate the process of oxidation generating a dark and warm living bronze finish.



### BLACK NICKEL

A burnt nickel appearance, resembling the colour of pewter. This minimal finish sits equally well in both contemporary or rustic settings.



### AGED COPPER

With its rich russet tones, this finish is particularly suited to traditional properties or an industrial-style interior.



## RADIATOR VALVES

We manufacture our radiator valves in three styles - The English, La Loire and The Mercantile.

All of which are available in our full range of finishes.

THE ENGLISH



LA LOIRE



THE MERCANTILE

