

# The Mercantile Arched Three Bar Heated Towel Radiator

## STANDARD, DUAL FUEL & ELECTRIC MODELS

### YOU WILL NEED

- Pair of Radiator valves for Dual Fuel or Standard Models (sold separately).
- Screwdriver
- Pipe Cutter
- Spanner
- 15mm Olive
- Suitable PTFE Tape

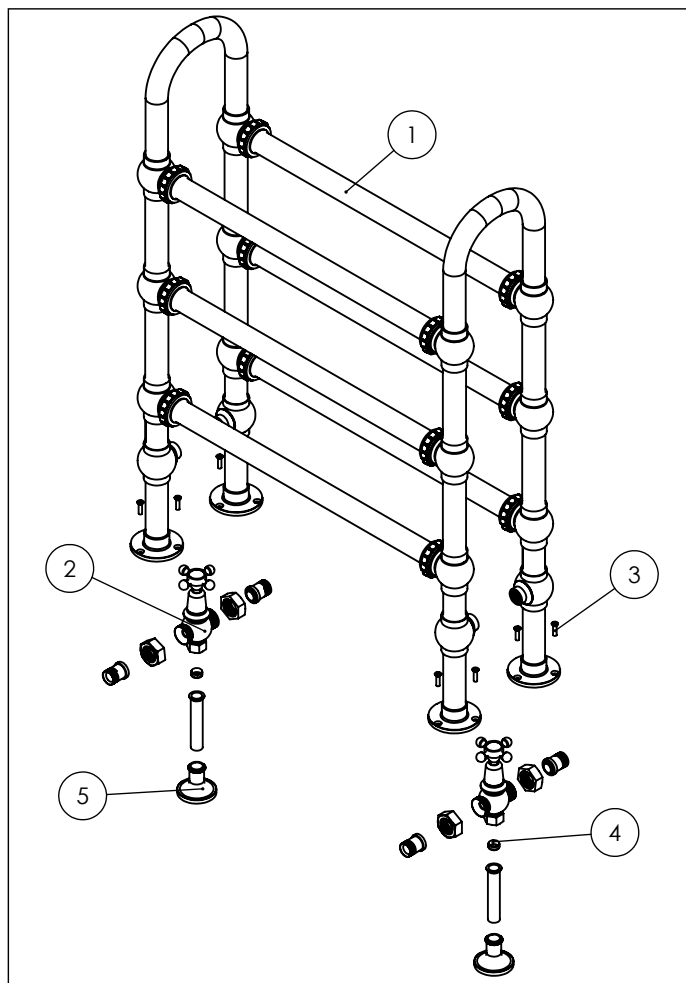
### GENERAL INFORMATION

This product is manufactured entirely in the UK and has been rigorously tested to provide many years of good service when installed by a suitably qualified professional.

All products must be thoroughly inspected once upon delivery and again prior to installation. Carefully remove the product packaging for the initial inspection and repackage if being stored. It should be stored in a clean dry and safe environment at normal room temperature.

Please read these instructions carefully before commencing any work and ensure that all parts are present and in perfect condition before starting the installation.

If you require assistance or have any questions please call our Technical department: 01233 840 840 or email: [technical@catchpoleandrye.com](mailto:technical@catchpoleandrye.com).



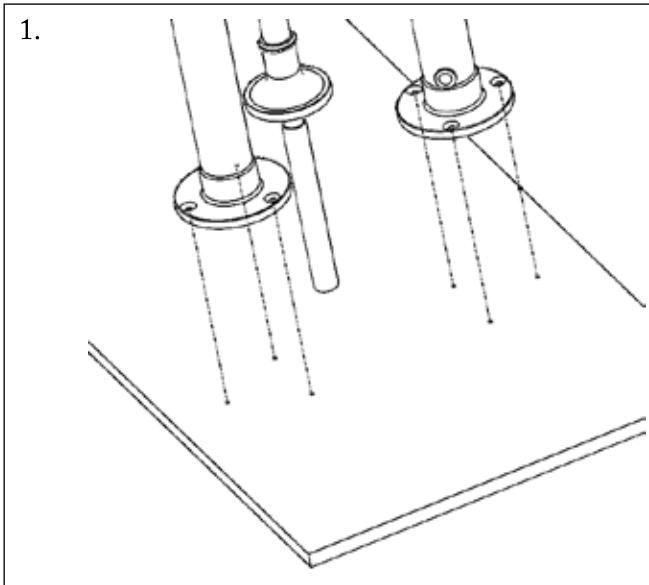
### COMPONENTS

1. Pre Assembled Towel Rail
2. Radiator Valve Body x2
3. 1 1/2" Fixing Screws
4. 15mm Olive
5. Telescopic Shroud

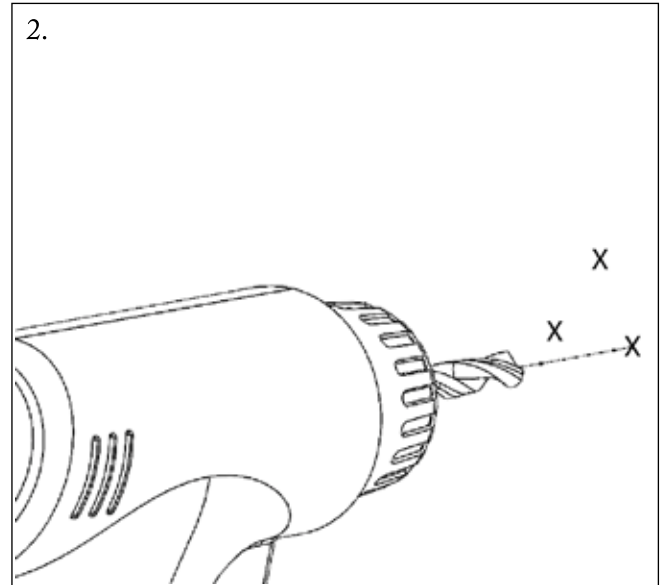
# The Mercantile Arched Three Bar Heated Towel Radiator

STANDARD, DUAL FUEL & ELECTRIC MODELS

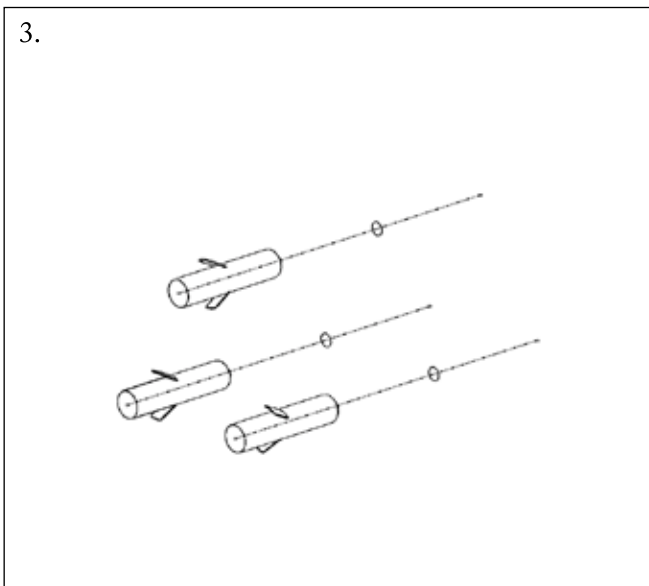
## SECTION 1: Wall Fixings - Applies to all models



After the towel rail has been thoroughly inspected and carefully unpackaged measure the fixing points on the wall and floor, ensuring that the rail is level and aligned with the incoming feeds or electric supply where applicable. Whilst every effort is made to maintain the orientation of each foot, we cannot guarantee this, therefore it is imperative that each screw position is marked out before assembly.



Ensure that there are no wires or pipes behind the marked locations for the fixings. Drill holes for fixings.



Insert plugs.

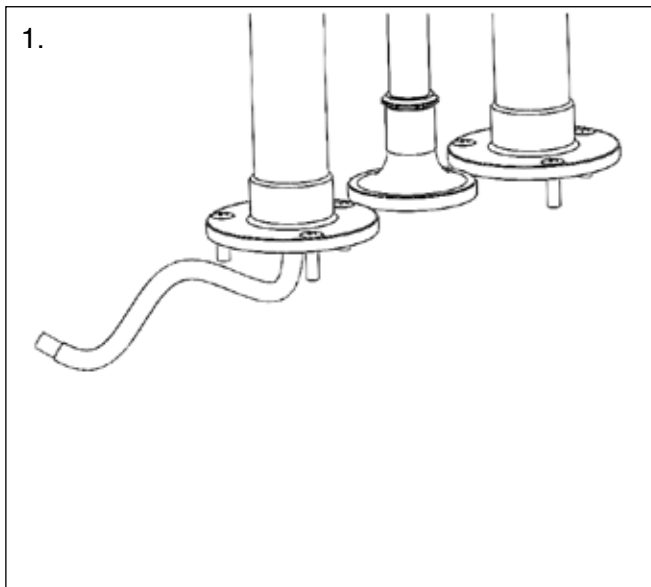
### NEXT STEPS:

For electric and dual fuel models continue to SECTION 2.  
For Standard models skip to SECTION 3.

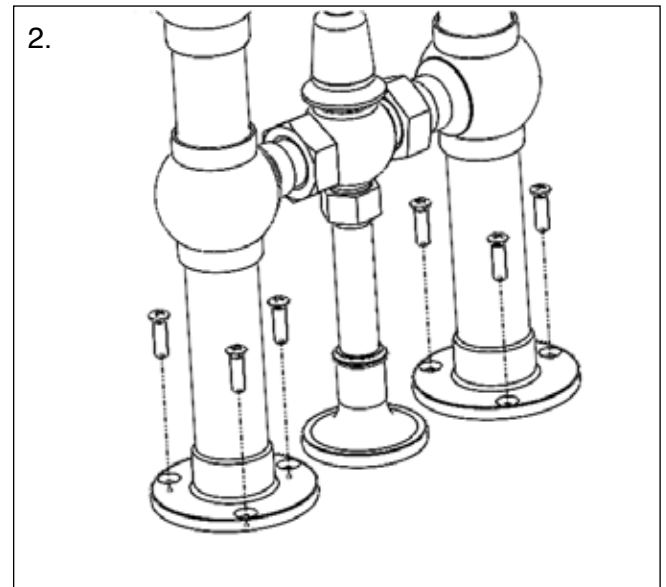
# The Mercantile Arched Three Bar Heated Towel Radiator

STANDARD, DUAL FUEL & ELECTRIC MODELS

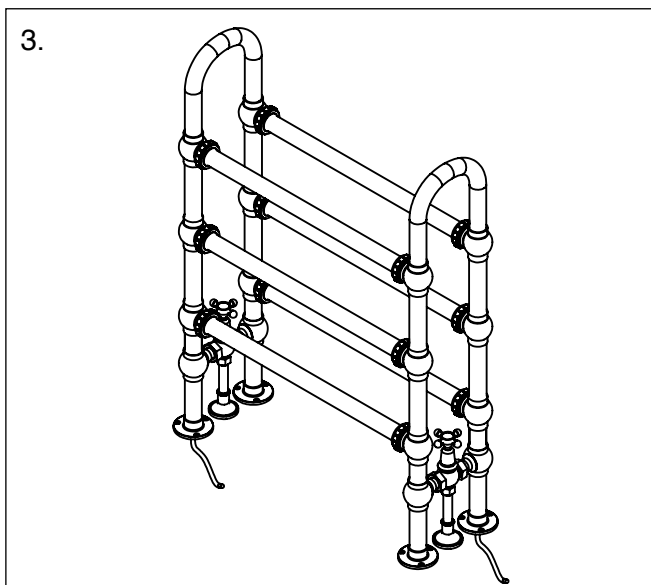
SECTION 2: Connecting to power supply - Applies to Electric and Dual Fuel Models.



Thread electric supply cable through the hollow legs and attach to the elements. The elements are located at opposite corners to each other.



For electric only models, attach the rail to the floor using the fixings inserted in section 1.



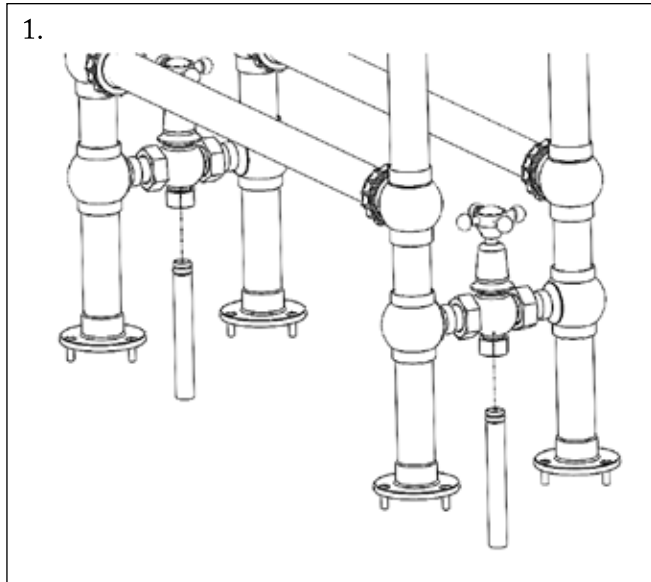
For electric only models, test the rail.

**IMPORTANT:** Electric elements should be fitted only by a suitably qualified electrician and must be earthed and connected to a cable outlet in the bathroom in accordance with I.E.E wiring regulations. The electrical connection should be made to a 5-amp fused fixed spur located outside the bathroom.

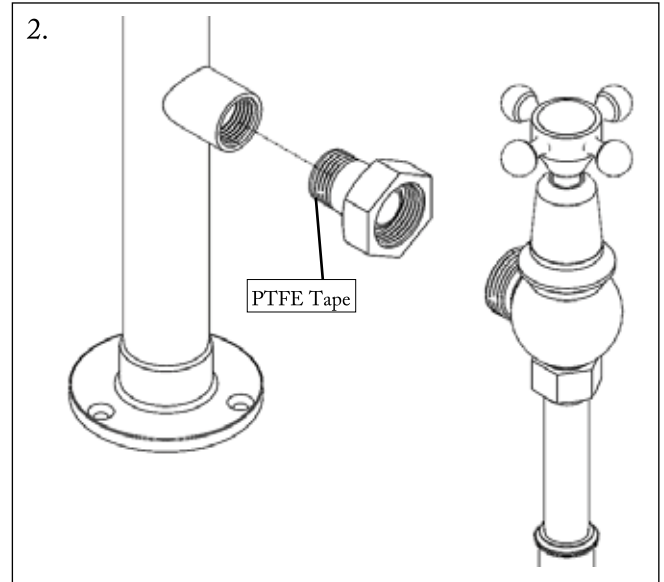
# The Mercantile Arched Three Bar Heated Towel Radiator

STANDARD, DUAL FUEL & ELECTRIC MODELS

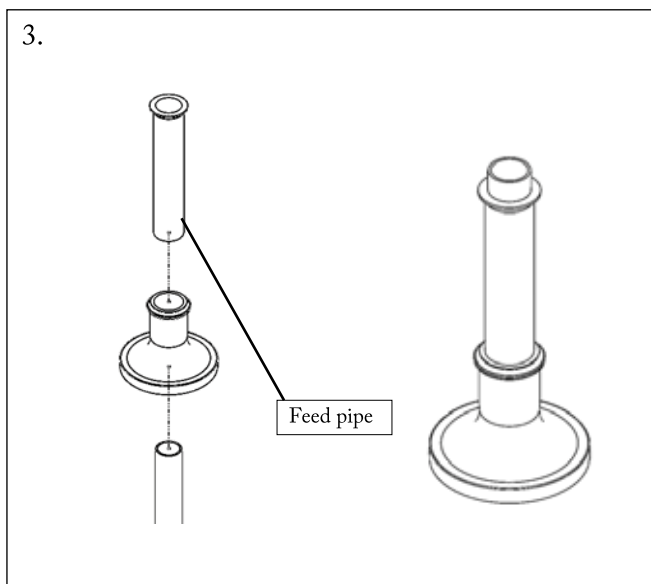
SECTION 3: Connecting to central heating systems - Applies to Standard and Dual Fuel Models.



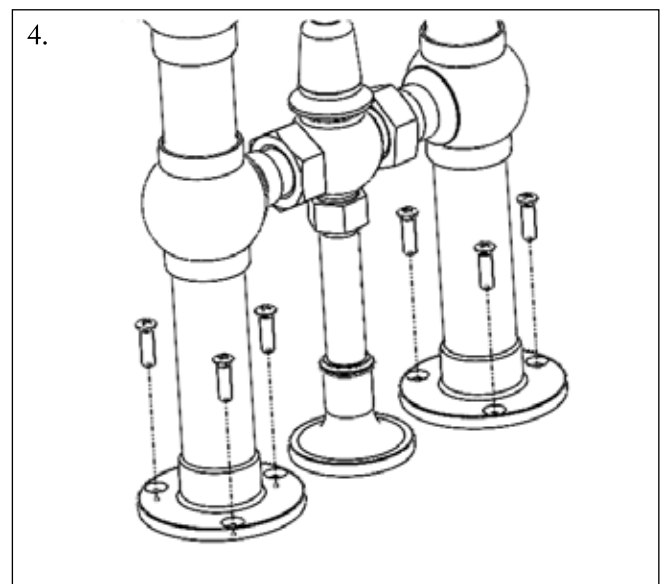
Ensure that the 15mm feed pipes are aligned correctly for fitting to the radiator valves.



Fit the radiator valve tail thread using an appropriate allen key, use an appropriate PTFE tape on thread. **DO NOT OVERTIGHTEN.** Then loosely attach the radiator valve.



Position the escutcheon and pipe cover over the feed pipes.

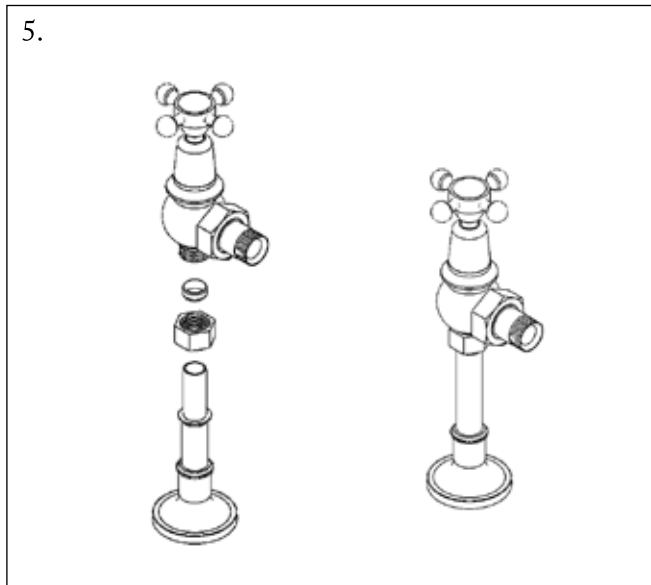


Attach the rail to the floor using the wall plugs installed in SECTION 1.

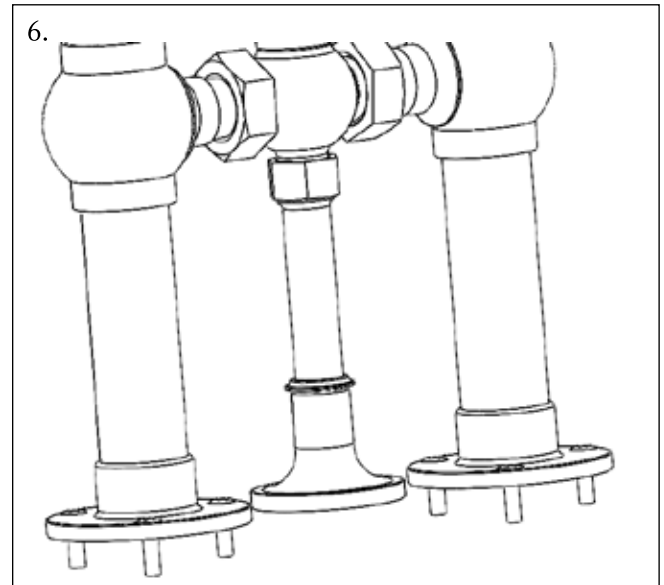
# The Mercantile Arched Three Bar Heated Towel Radiator

STANDARD, DUAL FUEL & ELECTRIC MODELS

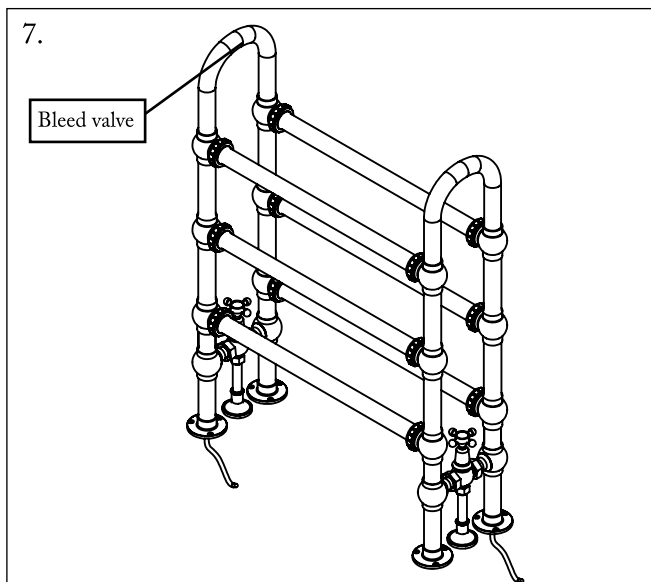
SECTION 3: Connecting to central heating systems - Applies to Standard and Dual Fuel Models.



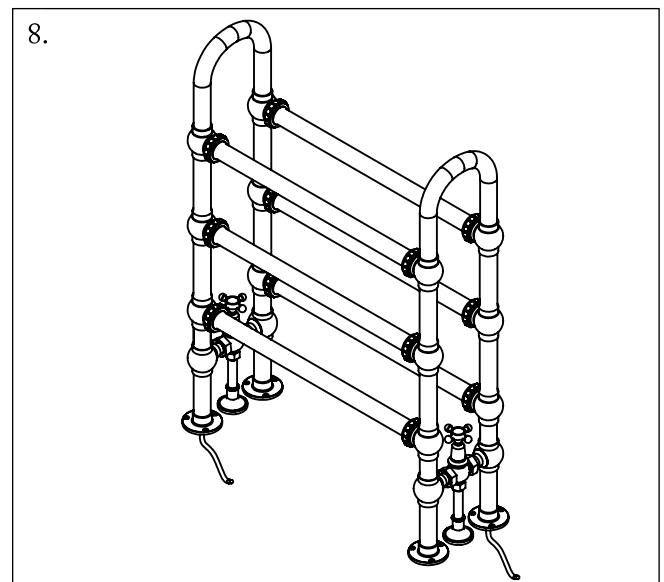
Attach the feed pipes to the radiator valves using the compression olives and nut.



Position the escutcheon and pipe cover so that they are in the desired location. These are push fit.



Fill the radiator and bleed using the bleed valve located under the upper left joint when looking directly at the rail.



Test the towel rail.