



# Catchpole & Rye

Saracens Dairy,  
Pluckley,  
Kent. U.K.  
TN27 0SA.  
TEL: +44 (0)1233 840840  
EMAIL: info@catchpoleandrye.com

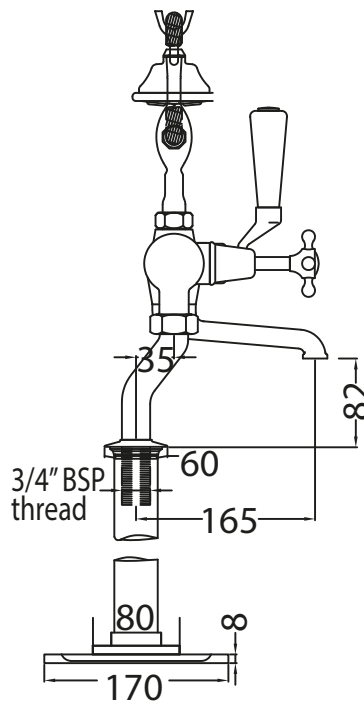
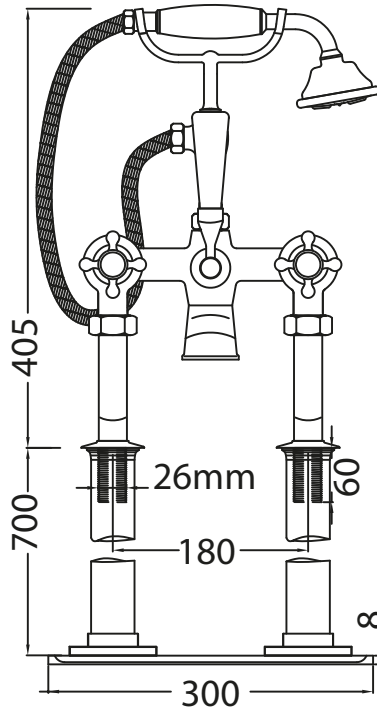
Product Range:

Taps

Product Name:

The English Bath Shower Mixer  
on Standpipes with Floorplate

DIMENSIONAL DATA SHEET  
DATE: DECEMBER 2018



NOTES:

DIMENSIONS IN MILLIMETRES.

WHILST EVERY EFFORT IS MADE TO ENSURE THE ACCURACY OF THESE DATA SHEETS THEY ARE SUBJECT TO CHANGE WITHOUT NOTICE AS PART OF THE COMPANY'S PRODUCT DEVELOPMENT PROCESS.