



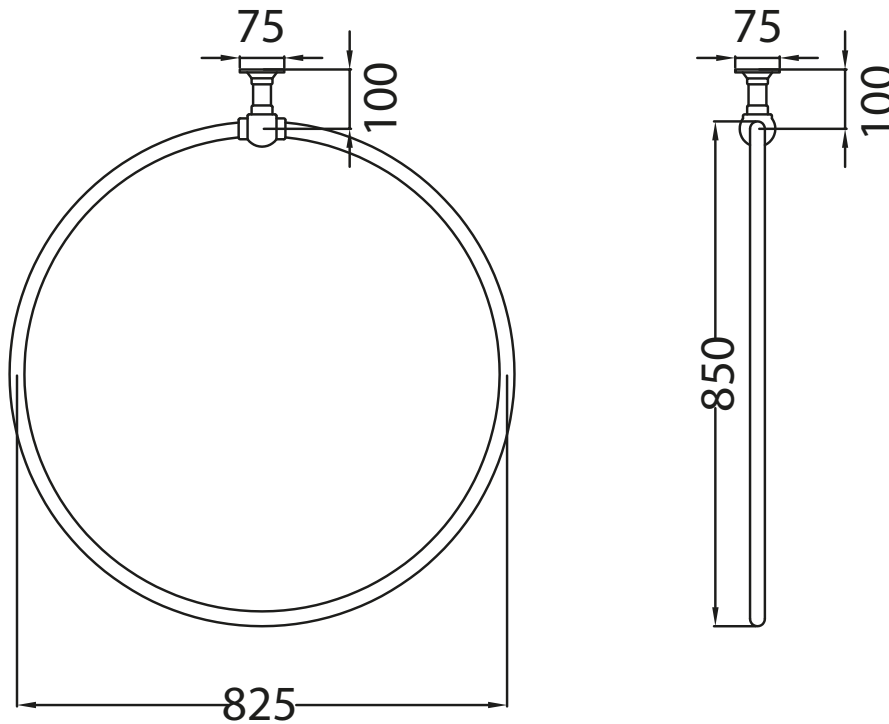
Catchpole & Rye

Saracens Dairy,
Pluckley,
Kent. U.K.
TN27 0SA.
TEL: +44 (0)1233 840840
EMAIL: info@catchpoleandrye.com

Product Range:
Hoops & Rails

Product Name:
The Circular Shower Rail

DIMENSIONAL DATA SHEET
DATE: AUGUST 2018



NOTES:
DIMENSIONS IN MILLIMETRES.
WHILST EVERY EFFORT IS MADE TO ENSURE THE ACCURACY OF THESE DATA SHEETS THEY ARE SUBJECT
TO CHANGE WITHOUT NOTICE AS PART OF THE COMPANY'S PRODUCT DEVELOPMENT PROCESS.