



Catchpole & Rye

Saracens Dairy,
 Pluckley,
 Kent. U.K.
 TN27 0SA.
 TEL: +44 (0)1233 840840
 EMAIL: info@catchpoleandrye.com

Product Range:

Baths

Product Name:

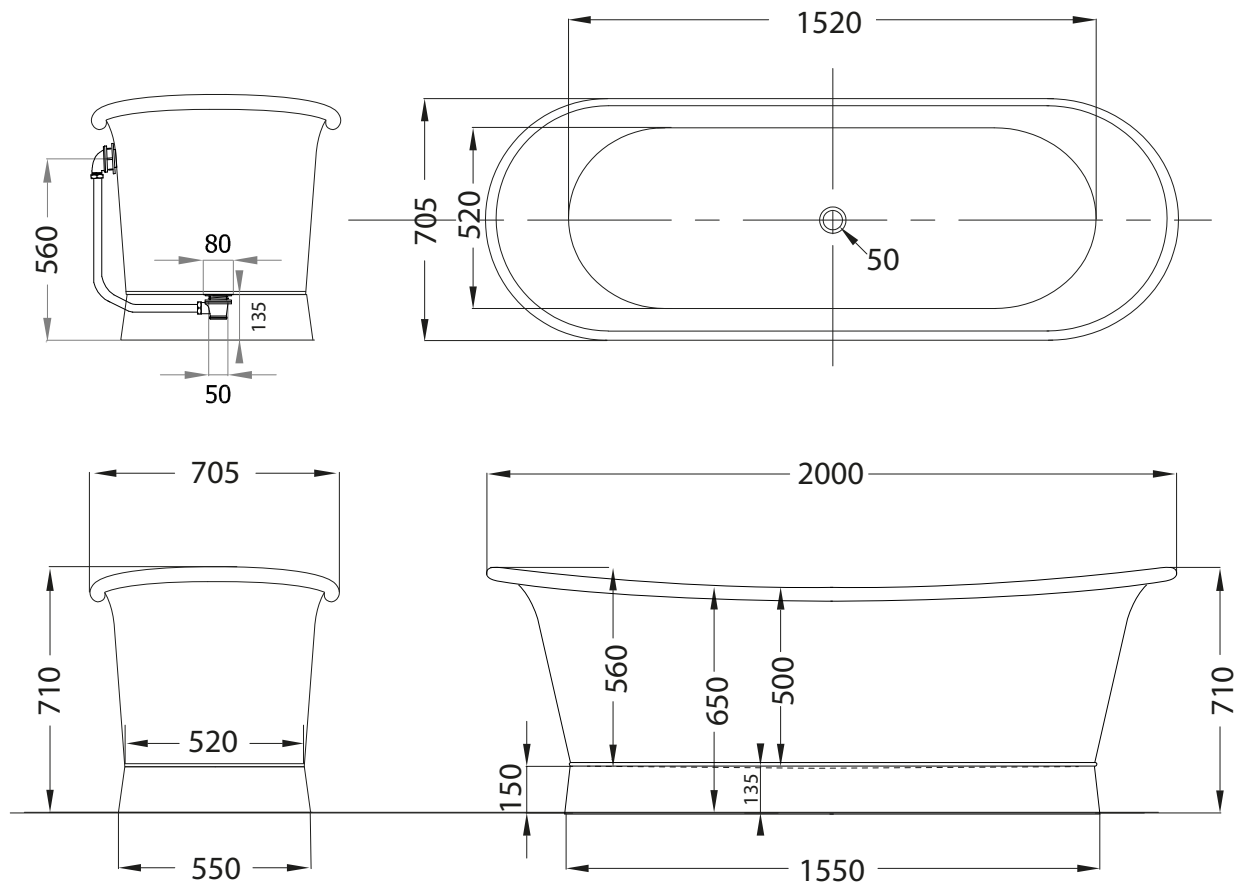
The Copper Bateau 2000

Finish:

All copper
 Copper Exterior, & Nickel Interior
 Nickel Bateau
 Brass Bateau

DIMENSIONAL DATA SHEET
 DATE: January 2017
 ISSUE: 6

Scale 1:20



Weight: 60kg

NOTES:

DIMENSIONS IN MILLIMETRES.

WHILST EVERY EFFORT IS MADE TO ENSURE THE ACCURACY OF THESE DATA SHEETS THEY ARE SUBJECT TO CHANGE WITHOUT NOTICE AS PART OF THE COMPANY'S PRODUCT DEVELOPMENT PROCESS.