



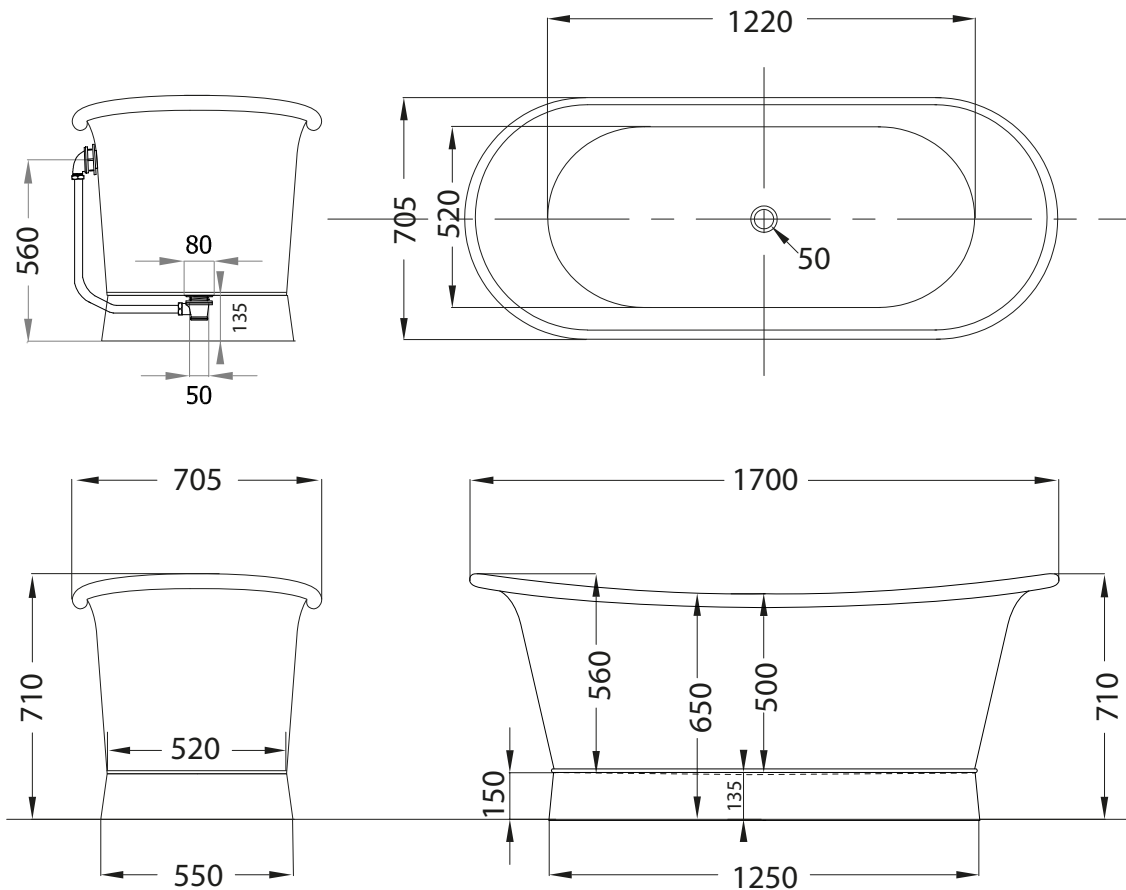
# Catchpole & Rye

Saracens Dairy,  
 Pluckley,  
 Kent. U.K.  
 TN27 0SA.  
 TEL: +44 (0)1233 840840  
 EMAIL: info@catchpoleandrye.com

<b>Product Range:</b>
Baths
<b>Product Name:</b>
The Copper Bateau 1700
<b>Finish:</b>
All copper
Copper Exterior, & Nickel Interior
Nickel Bateau
Brass Bateau

DIMENSIONAL DATA SHEET  
 DATE: January 2017  
 ISSUE: 6

Scale 1:20



Weight: 50kg

NOTES:  
 DIMENSIONS IN MILLIMETRES.  
 WHILST EVERY EFFORT IS MADE TO ENSURE THE ACCURACY OF THESE DATA SHEETS THEY ARE SUBJECT TO CHANGE WITHOUT NOTICE AS PART OF THE COMPANY'S PRODUCT DEVELOPMENT PROCESS.