



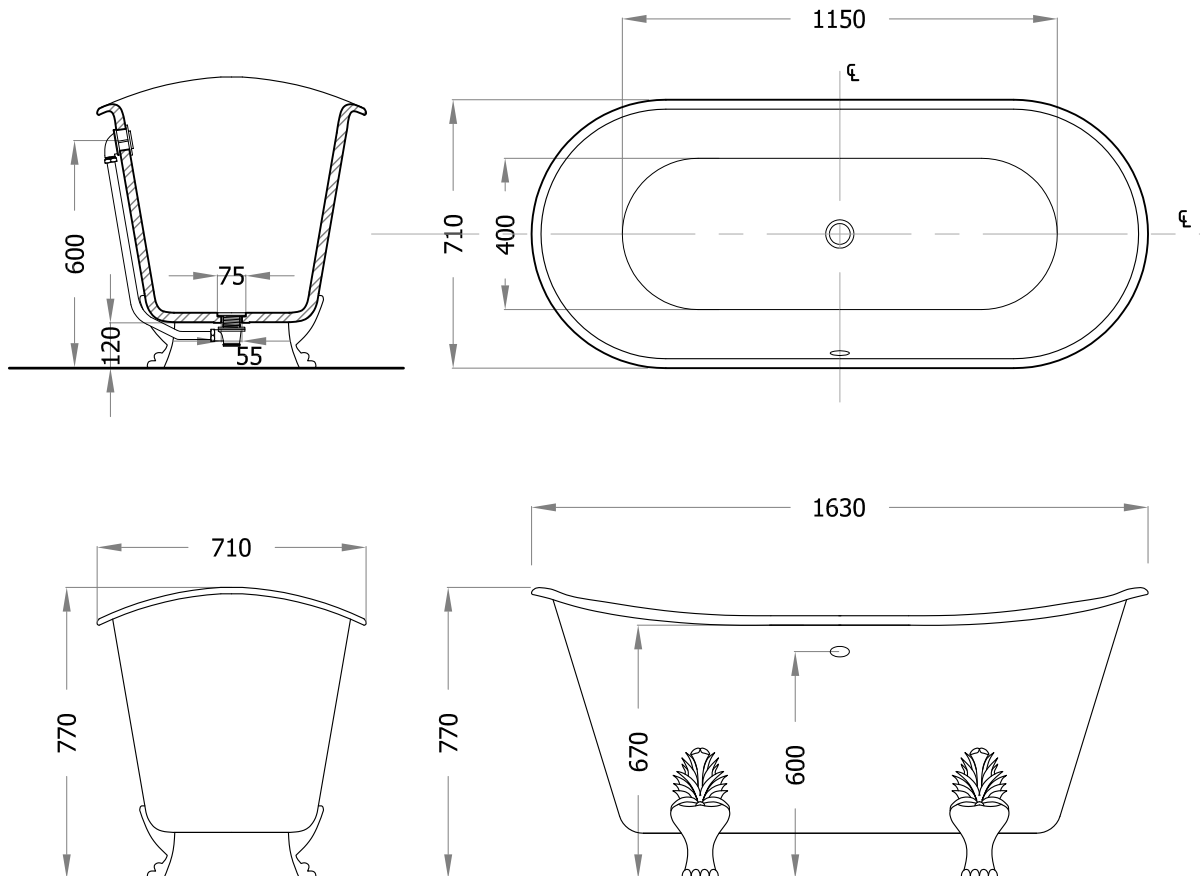
Catchpole & Rye

Saracens Dairy,
 Pluckley,
 Kent. U.K.
 TN27 0SA.
 TEL: +44 (0)1233 840840
 EMAIL: info@catchpoleandrye.com

<u>Product Range:</u>	
Baths	
<u>Product Name:</u>	
Le Bateau Foix	
<u>Product Code:</u>	<u>Finish:</u>
FOIX1	Painted
FOIX2	Polished

DIMENSIONAL DATA SHEET
 DATE: NOVEMBER 2014
 ISSUE: 3

Scale 1:20



Weight: 200kg

NOTES:
 DIMENSIONS IN MILLIMETRES.
 WHILST EVERY EFFORT IS MADE TO ENSURE THE ACCURACY OF THESE DATA SHEETS THEY ARE SUBJECT TO CHANGE WITHOUT NOTICE AS PART OF THE COMPANY'S PRODUCT DEVELOPMENT PROCESS.