



# Catchpole & Rye

Saracens Dairy,  
Pluckley,  
Kent. U.K.  
TN27 0SA.  
TEL: +44 (0)1233 840840  
EMAIL: info@catchpoleandrye.com

Product Range:

Baths

Product Name:

Sentinel Glass Shower Bath

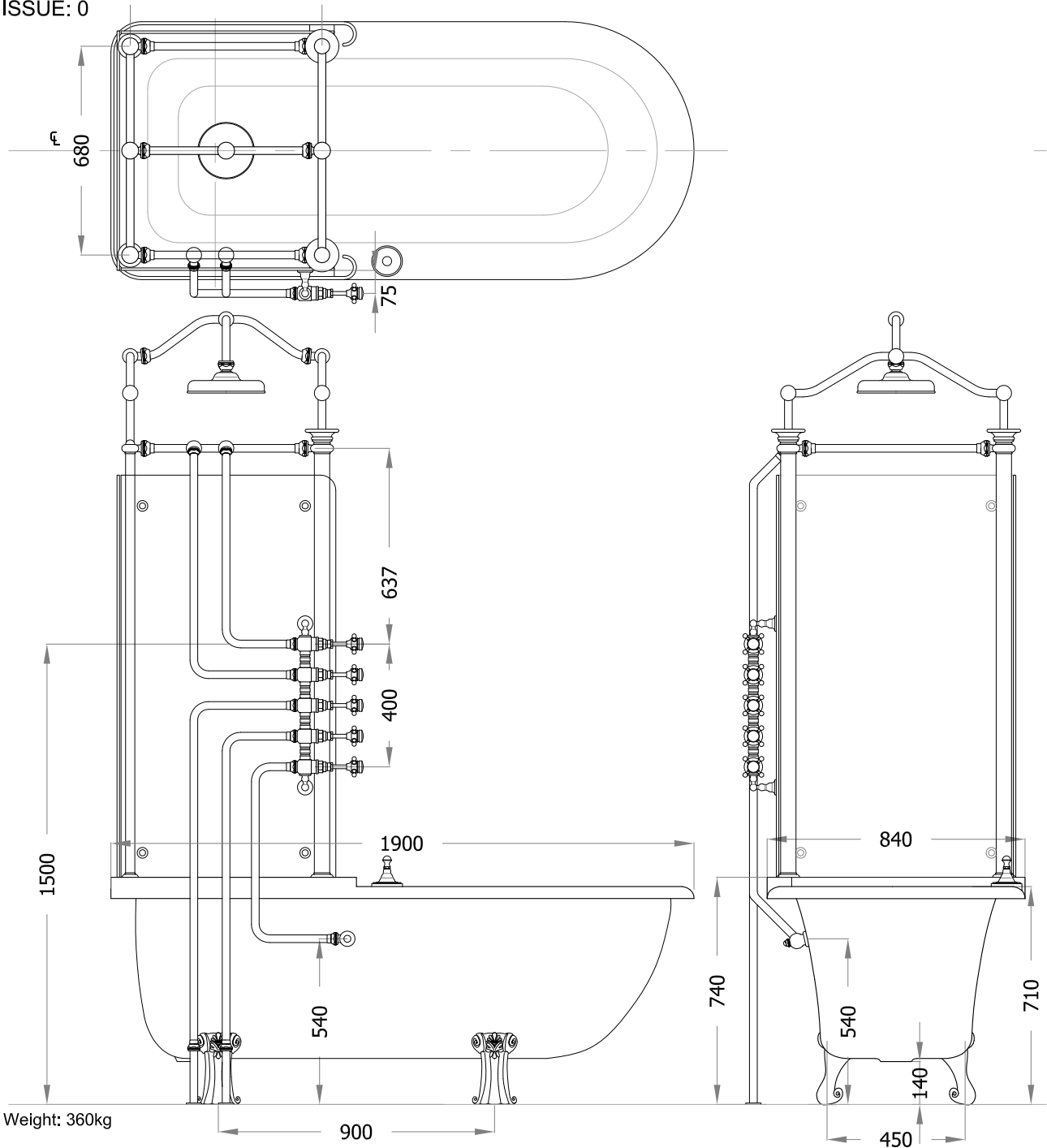
Product Code:

Finish:

Painted

DIMENSIONAL DATA SHEET  
DATE: JANUARY 2013  
ISSUE: 0

Scale 1:20



Weight: 360kg

**NOTES:**

DIMENSIONS IN MILLIMETRES.

WHILST EVERY EFFORT IS MADE TO ENSURE THE ACCURACY OF THESE DATA SHEETS THEY ARE SUBJECT TO CHANGE WITHOUT NOTICE AS PART OF THE COMPANY'S PRODUCT DEVELOPMENT PROCESS.



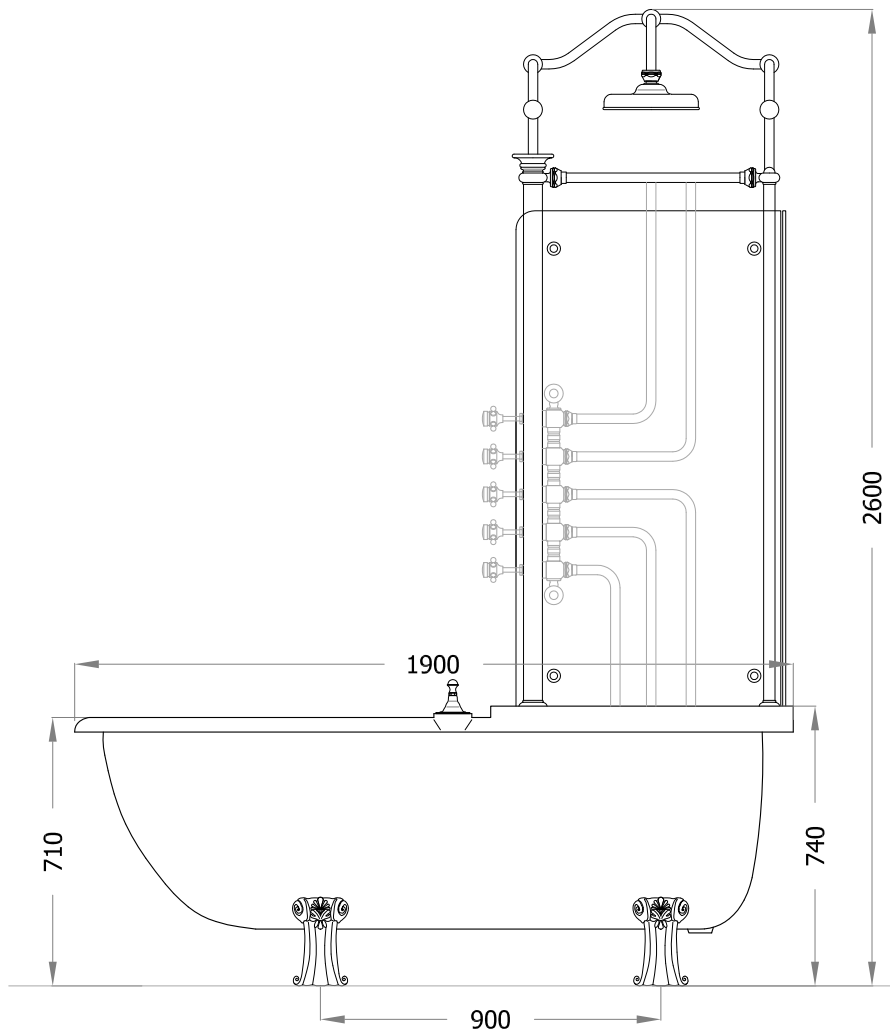
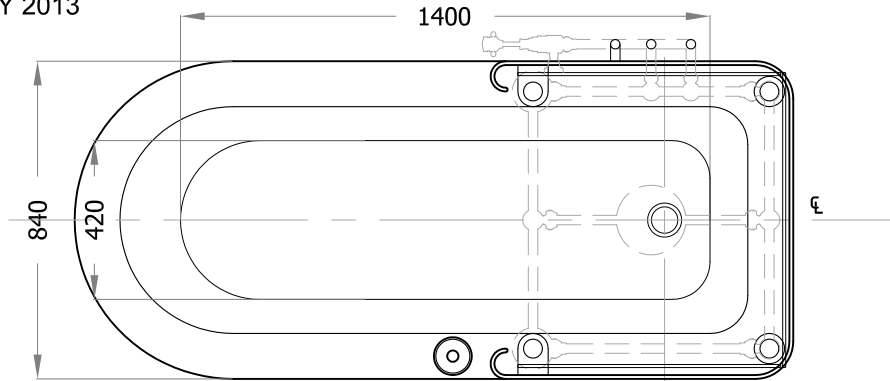
# Catchpole & Rye

Saracens Dairy,  
 Pluckley,  
 Kent. U.K.  
 TN27 0SA.  
 TEL: +44 (0)1233 840840  
 EMAIL: info@catchpoleandrye.com

<b>Product Range:</b>	
Baths	
<b>Product Name:</b>	
Sentinel Glass Shower Bath	
<b>Product Code:</b>	<b>Finish:</b>
	Painted

DIMENSIONAL DATA SHEET  
 DATE: JANUARY 2013  
 ISSUE: 0

Scale 1:20



Weight: 360kg

NOTES:  
 DIMENSIONS IN MILLIMETRES.  
 WHILST EVERY EFFORT IS MADE TO ENSURE THE ACCURACY OF THESE DATA SHEETS THEY ARE SUBJECT TO CHANGE WITHOUT NOTICE AS PART OF THE COMPANY'S PRODUCT DEVELOPMENT PROCESS.