



Catchpole & Rye

Saracens Dairy,
 Pluckley,
 Kent. U.K.
 TN27 0SA.
 TEL: +44 (0)1233 840840
 EMAIL: info@catchpoleandrye.com

Product Range:

Baths

Product Name:

Le Piaf

Product Code:

Finish:

Painted

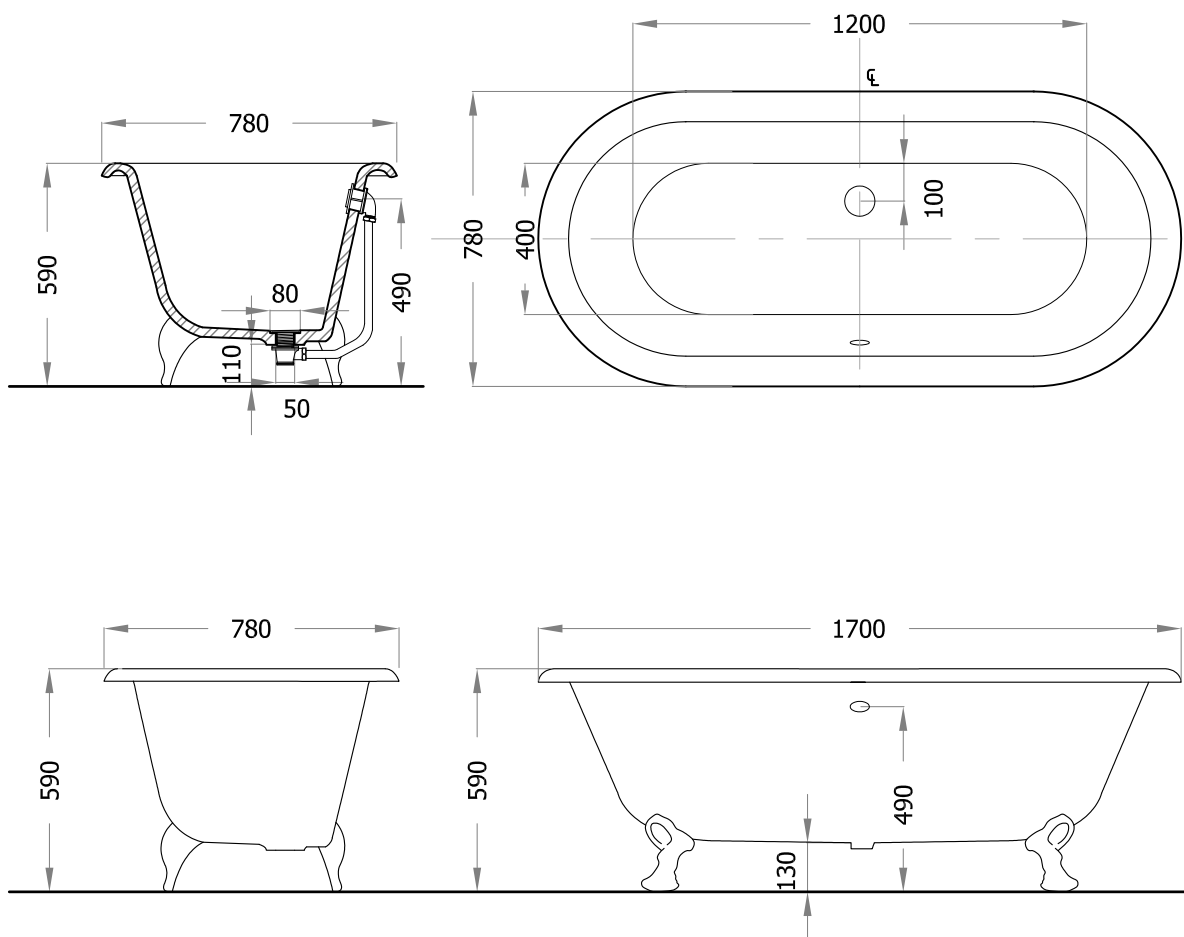
Polished

DIMENSIONAL DATA SHEET

DATE: JULY 2013

ISSUE: 2

Scale 1:20



Weight: 120kg

NOTES:

DIMENSIONS IN MILLIMETRES.

WHILST EVERY EFFORT IS MADE TO ENSURE THE ACCURACY OF THESE DATA SHEETS THEY ARE SUBJECT TO CHANGE WITHOUT NOTICE AS PART OF THE COMPANY'S PRODUCT DEVELOPMENT PROCESS.