



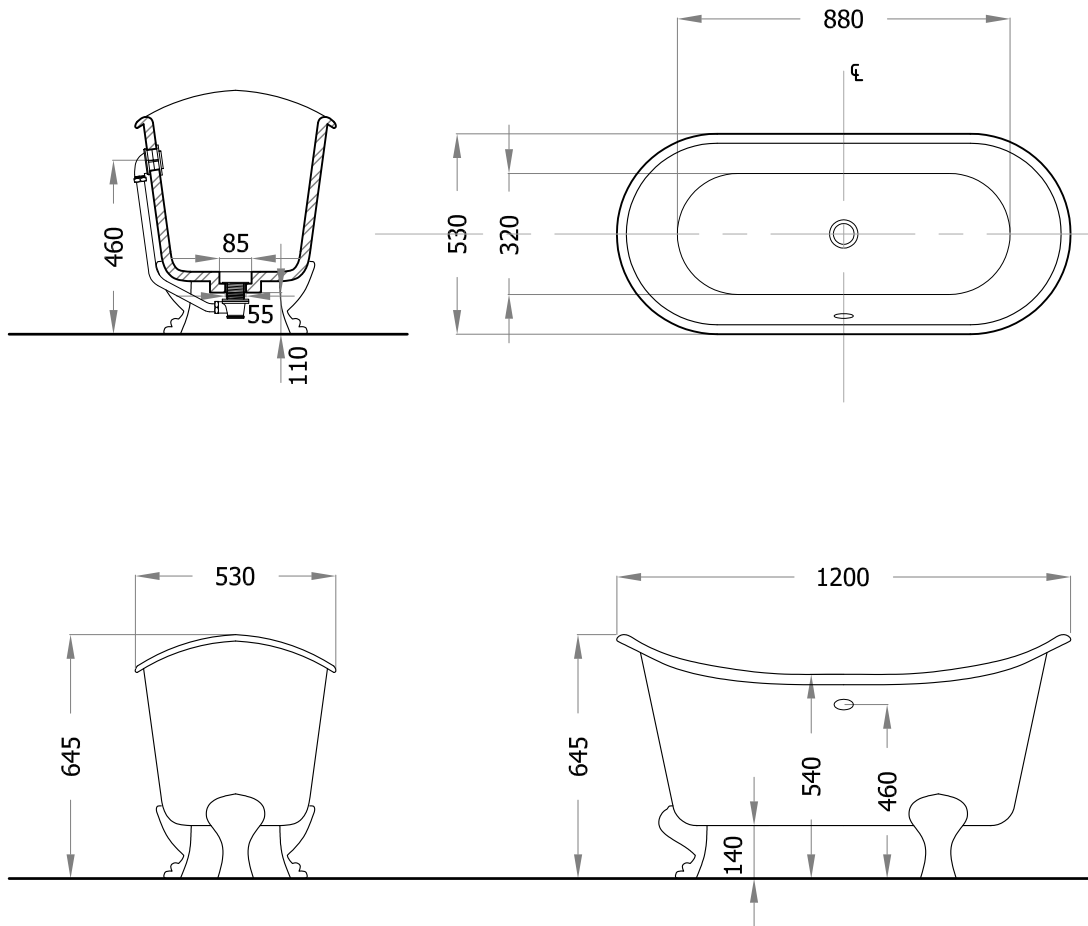
Catchpole & Rye

Saracens Dairy,
 Pluckley,
 Kent. U.K.
 TN27 0SA.
 TEL: +44 (0)1233 840840
 EMAIL: info@catchpoleandrye.com

Product Range: Baths	
Product Name: Le Petit Bateau	
Product Code:	Finish: Painted

DIMENSIONAL DATA SHEET
 DATE: JULY 2013
 ISSUE: 1

Scale 1:20



NOTES:
 DIMENSIONS IN MILLIMETRES.
 WHILST EVERY EFFORT IS MADE TO ENSURE THE ACCURACY OF THESE DATA SHEETS THEY ARE SUBJECT TO CHANGE WITHOUT NOTICE AS PART OF THE COMPANY'S PRODUCT DEVELOPMENT PROCESS.