



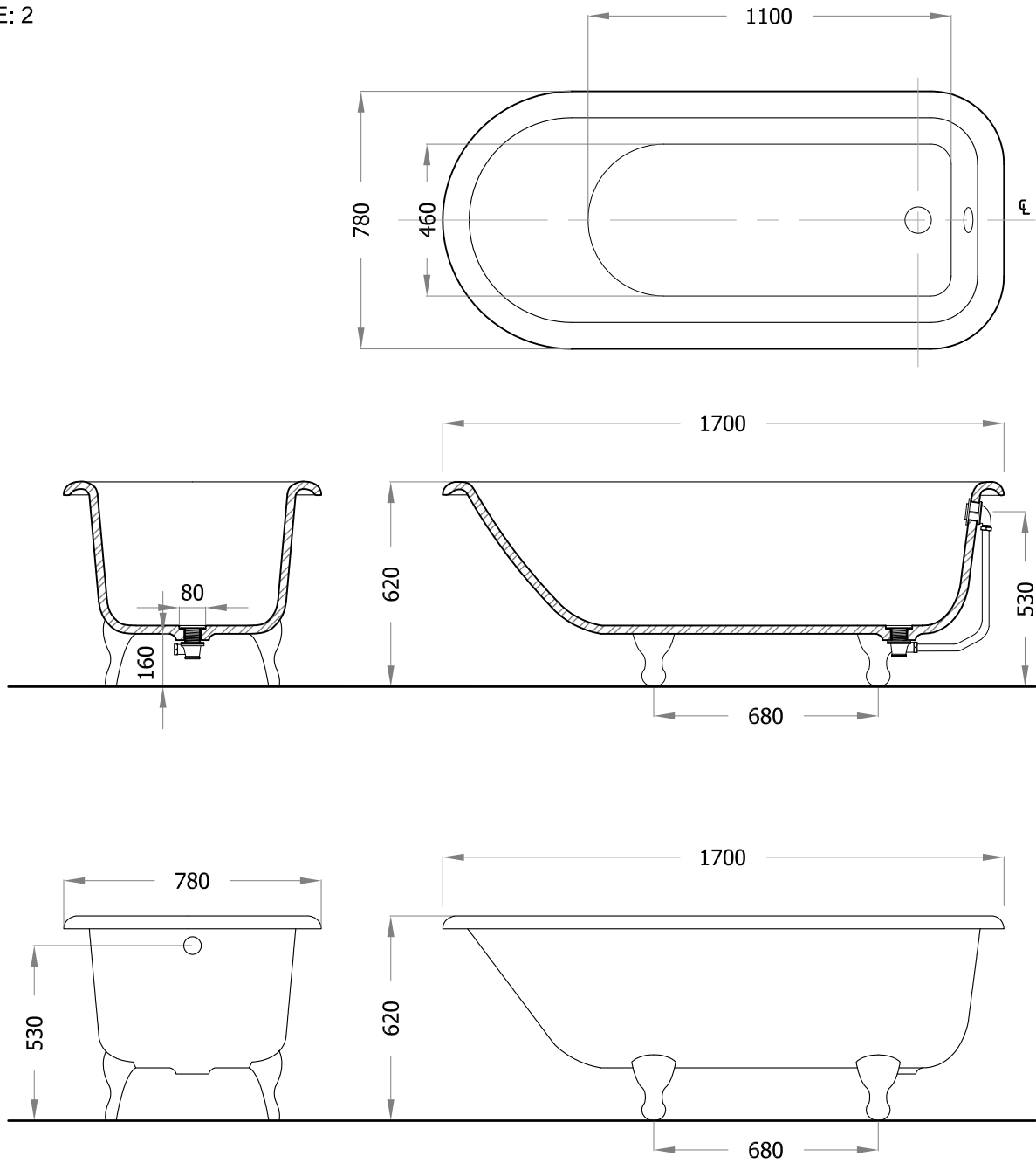
# Catchpole & Rye

Saracens Dairy,  
 Pluckley,  
 Kent. U.K.  
 TN27 0SA.  
 TEL: +44 (0)1233 840840  
 EMAIL: info@catchpoleandrye.com

<b>Product Range:</b> Baths	
<b>Product Name:</b> La Provence	
<b>Product Code:</b>	<b>Finish:</b> Painted Polished

DIMENSIONAL DATA SHEET  
 DATE: JULY 2013  
 ISSUE: 2

Scale 1:20



Weight: 120kg

NOTES:  
 DIMENSIONS IN MILLIMETRES.  
 WHILST EVERY EFFORT IS MADE TO ENSURE THE ACCURACY OF THESE DATA SHEETS THEY ARE SUBJECT TO CHANGE WITHOUT NOTICE AS PART OF THE COMPANY'S PRODUCT DEVELOPMENT PROCESS.