



# Catchpole & Rye

Saracens Dairy,  
 Pluckley,  
 Kent. U.K.  
 TN27 0SA.  
 TEL: +44 (0)1233 840840  
 EMAIL: info@catchpoleandrye.com

**Product Range:**

Baths

**Product Name:**

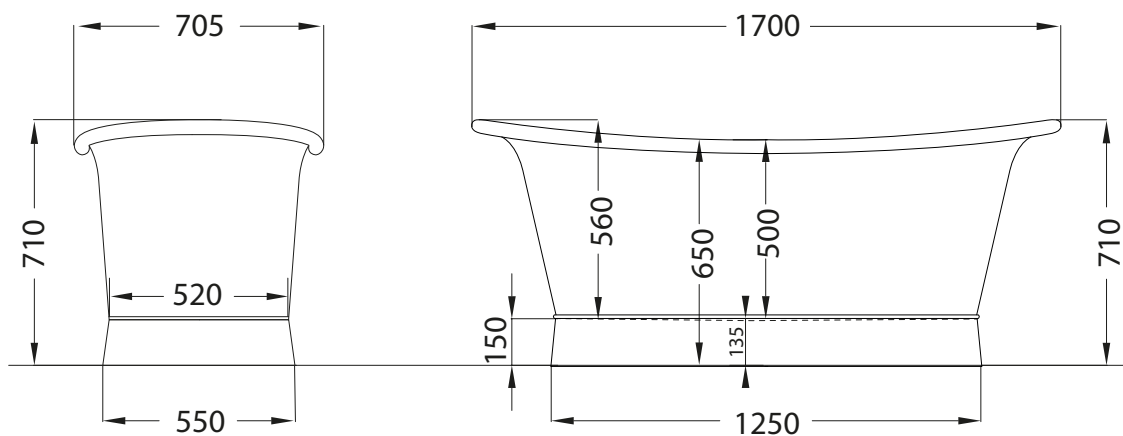
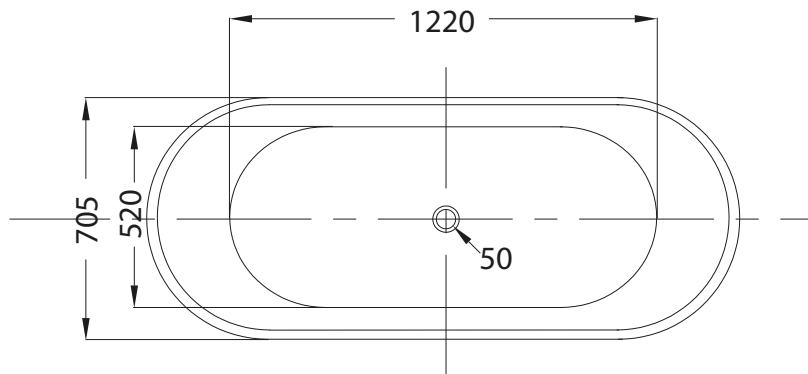
The Copper Bateau 1700

**Finish:**

All copper  
 Copper Exterior, & Nickel Interior  
 Nickel Bateau  
 Brass Bateau

DIMENSIONAL DATA SHEET  
 DATE: January 2017  
 ISSUE: 6

Scale 1:20



Weight: 50kg

**NOTES:**

DIMENSIONS IN MILLIMETRES.

WHILST EVERY EFFORT IS MADE TO ENSURE THE ACCURACY OF THESE DATA SHEETS THEY ARE SUBJECT TO CHANGE WITHOUT NOTICE AS PART OF THE COMPANY'S PRODUCT DEVELOPMENT PROCESS.