



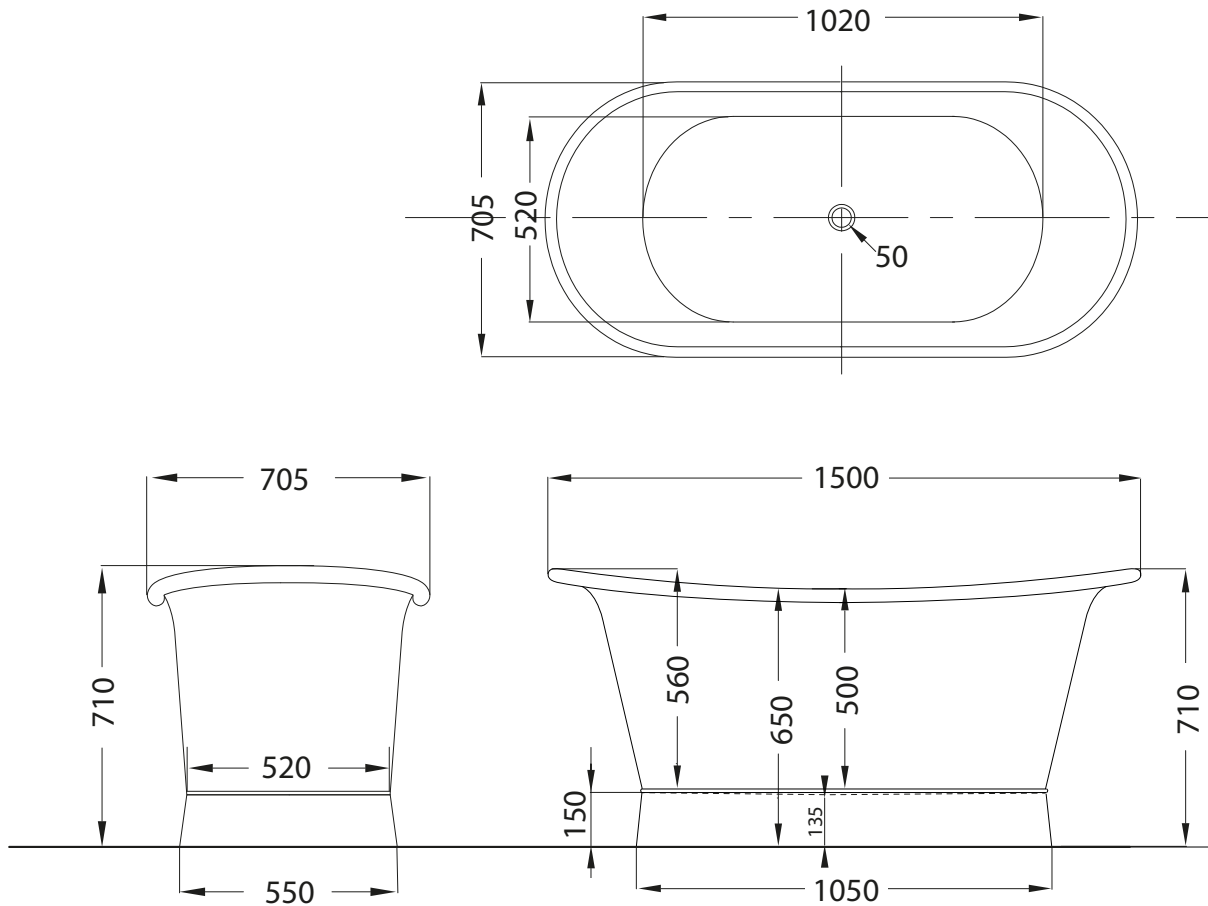
# Catchpole & Rye

Saracens Dairy,  
 Pluckley,  
 Kent. U.K.  
 TN27 0SA.  
 TEL: +44 (0)1233 840840  
 EMAIL: info@catchpoleandrye.com

<b>Product Range:</b>	
Baths	
<b>Product Name:</b>	
The Copper Bateau 1500MM	
<b>Product Code:</b>	<b>Finish:</b>

**DIMENSIONAL DATA SHEET**  
 DATE: January 2017  
 ISSUE: 5

Scale 1:20



Weight: 35kg

**NOTES:**  
 DIMENSIONS IN MILLIMETRES.  
 WHILST EVERY EFFORT IS MADE TO ENSURE THE ACCURACY OF THESE DATA SHEETS THEY ARE SUBJECT TO CHANGE WITHOUT NOTICE AS PART OF THE COMPANY'S PRODUCT DEVELOPMENT PROCESS.